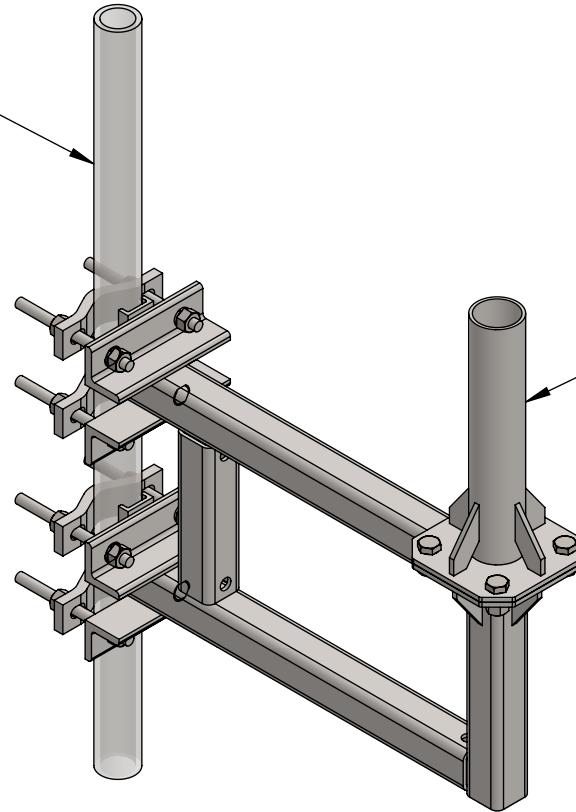


PART NO.	MAST DIAMETER	WEIGHT
TM12P6S-190X1	1.90"OD	52 lbs.
TM12P6S-200X1	2.00"OD	52 lbs.
TM12P6S-237X1	2.37"OD	53 lbs.
TM12P6S-288X1	2.88"OD	55 lbs.

EXISTING 1.90"OD TO 3.50"OD
TOWER LEG/VERTICAL POST



MAST DIAMETER (see chart)

PROPRIETARY AND CONFIDENTIAL
THE INFORMATION CONTAINED IN THIS DRAWING IS THE SOLE PROPERTY OF BAIRD SUPPORTING SYSTEMS. ANY REPRODUCTION IN PART OR AS A WHOLE WITHOUT THE WRITTEN PERMISSION OF BAIRD SUPPORTING SYSTEMS IS PROHIBITED.



WWW.BAIRD MOUNTS.COM

UNLESS OTHERWISE SPECIFIED:
DIMENSIONS ARE IN INCHES
TOLERANCES:
FRACTIONAL ±
TWO PLACE DECIMAL ±
THREE PLACE DECIMAL ±
ANGULAR: MACH ± BEND ±

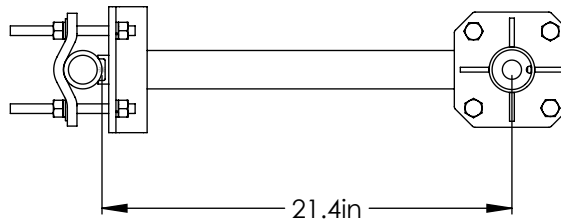
DO NOT SCALE DRAWING

BAIRD MOUNTING SYSTEMS

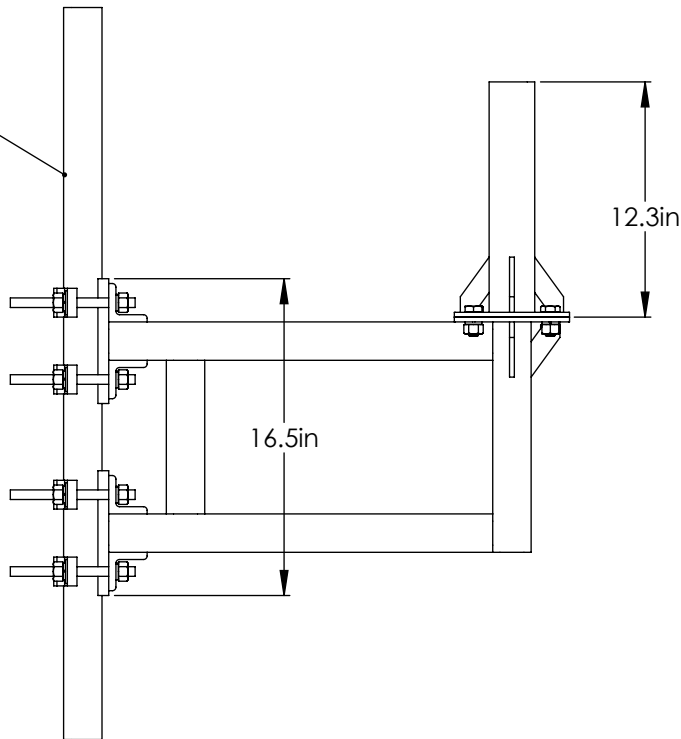
WATERLOO, IA 50703
PHONE: 319-233-3561
SALES@BAIRD MOUNTS.COM

TITLE:
TOWER MOUNT FOR 1.2M ANTENNA- TOWER
LEG 1.90"OD TO 3.5"OD

DRAWN BY JK	DATE 11/23/16	
MATERIAL STEEL	FINISH HDG	
DWG. PURPOSE CUSTOMER	SHEET 1 OF 2	SCALE -
PART. NO. SEE CHART		
DWG. NO. TM12P6S-(000)X1		



EXISTING TOWER LEG/VERTICAL PIPE
1.90"OD TO 3.50"OD



PROPRIETARY AND CONFIDENTIAL

THE INFORMATION CONTAINED IN THIS DRAWING IS THE SOLE PROPERTY OF BAIRD SUPPORTING SYSTEMS. ANY REPRODUCTION IN PART OR AS A WHOLE WITHOUT THE WRITTEN PERMISSION OF BAIRD SUPPORTING SYSTEMS IS PROHIBITED.



WWW.BAIRD MOUNTS.COM

UNLESS OTHERWISE SPECIFIED:

DIMENSIONS ARE IN INCHES
TOLERANCES:
FRACTIONAL ±
ANGULAR: MACH ± BEND ±
TWO PLACE DECIMAL ±
THREE PLACE DECIMAL ±

DO NOT SCALE DRAWING

BAIRD MOUNTING SYSTEMS

WATERLOO, IA 50703
PHONE: 319-233-3561
SALES@BAIRD MOUNTS.COM

TITLE:
TOWER MOUNT FOR 1.2M ANTENNA- TOWER
LEG 1.90"OD TO 3.50"OD

DRAWN BY JK	DATE 11/23/16	
MATERIAL STEEL	FINISH HDG	
DWG. PURPOSE CUSTOMER	SHEET 2 OF 2	SCALE -
PART. NO. SEE CHART		
DWG. NO. TM12P6L-(000)X1		