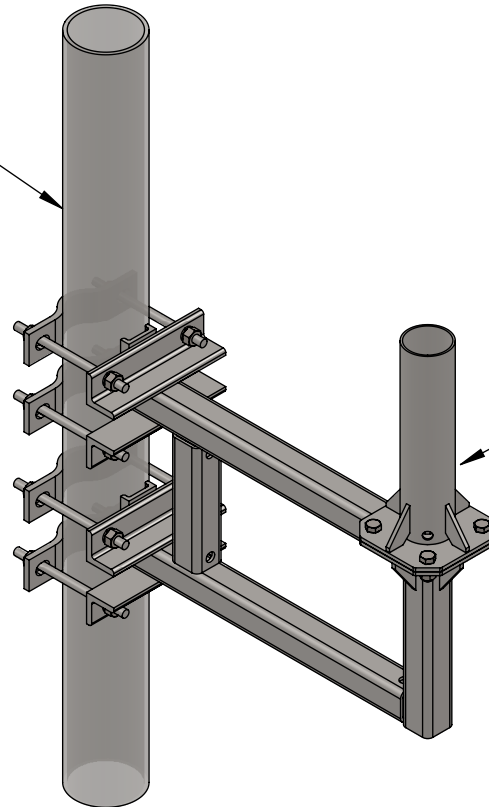


PART NO.	MAST DIAMETER	WEIGHT
TM12P6L-190X1	1.90"OD	57 lbs.
TM12P6L-200X1	2.00"OD	57 lbs.
TM12P6L-237X1	2.37"OD	58 lbs.
TM12P6L-288X1	2.88"OD	60 lbs.

EXISTING 2.88"OD TO 4.5"OD  
TOWER LEG/VERTICAL POST



MAST DIAMETER (see chart)

**PROPRIETARY AND CONFIDENTIAL**  
THE INFORMATION CONTAINED IN THIS DRAWING IS THE SOLE PROPERTY OF BAIRD SUPPORTING SYSTEMS. ANY REPRODUCTION IN PART OR AS A WHOLE WITHOUT THE WRITTEN PERMISSION OF BAIRD SUPPORTING SYSTEMS IS PROHIBITED.



WWW.BAIRD MOUNTS.COM

UNLESS OTHERWISE SPECIFIED:  
DIMENSIONS ARE IN INCHES  
TOLERANCES:  
FRACTIONAL ±  
TWO PLACE DECIMAL ±  
THREE PLACE DECIMAL ±  
ANGULAR: MACH ± BEND ±

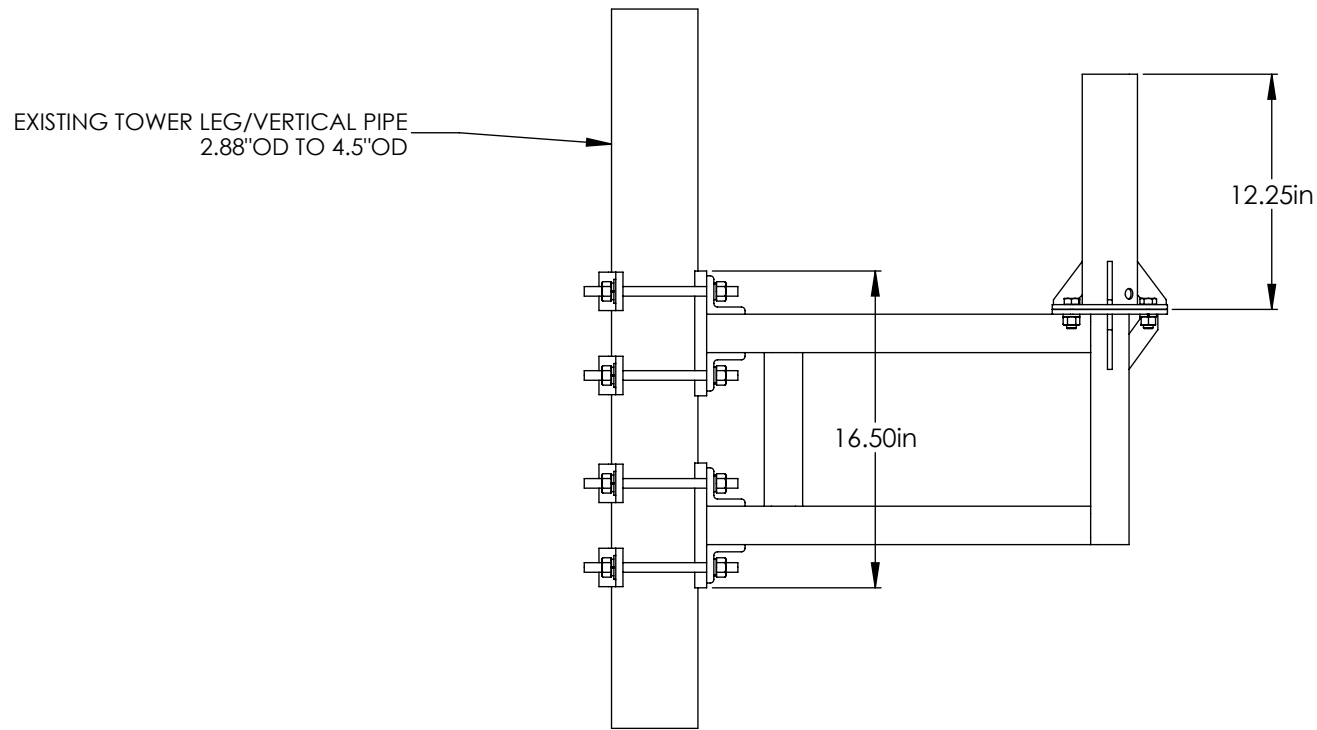
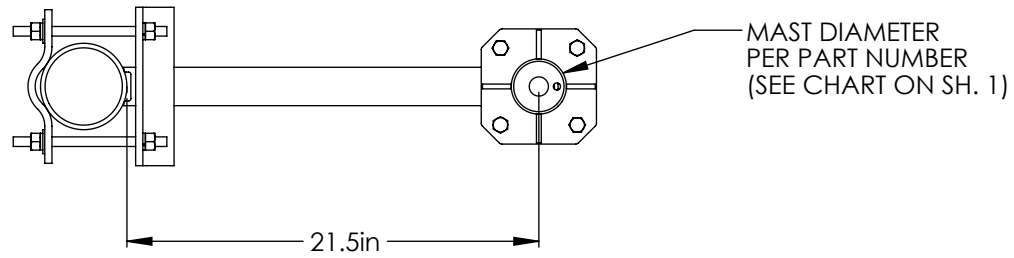
DO NOT SCALE DRAWING

**BAIRD MOUNTING SYSTEMS**

WATERLOO, IA 50703  
PHONE: 319-233-3561  
SALES@BAIRD MOUNTS.COM

TITLE:  
TOWER MOUNT FOR 1.2M ANTENNA- TOWER  
LEG 2.88"OD TO 4.5"OD

DRAWN BY JK	DATE 11/23/16	
MATERIAL STEEL	FINISH HDG	
DWG. PURPOSE CUSTOMER	SHEET 1 OF 2	SCALE -
PART. NO. SEE CHART		
DWG. NO. TM12P6L-(000)X1		



**PROPRIETARY AND CONFIDENTIAL**

THE INFORMATION CONTAINED IN THIS DRAWING IS THE SOLE PROPERTY OF BAIRD SUPPORTING SYSTEMS. ANY REPRODUCTION IN PART OR AS A WHOLE WITHOUT THE WRITTEN PERMISSION OF BAIRD SUPPORTING SYSTEMS IS PROHIBITED.



WWW.BAIRD MOUNTS.COM

**UNLESS OTHERWISE SPECIFIED:**

DIMENSIONS ARE IN INCHES  
 TOLERANCES:  
 FRACTIONAL ±  
 ANGULAR: MACH ± BEND ±  
 TWO PLACE DECIMAL ±  
 THREE PLACE DECIMAL ±

DO NOT SCALE DRAWING

**BAIRD MOUNTING SYSTEMS**

WATERLOO, IA 50703  
 PHONE: 319-233-3561  
 SALES@BAIRD MOUNTS.COM

TITLE:  
 TOWER MOUNT FOR 1.2M ANTENNA- TOWER  
 LEG 2.88"OD TO 4.5"OD

DRAWN BY JK	DATE 11/23/16	
MATERIAL STEEL	FINISH HDG	
DWG. PURPOSE CUSTOMER	SHEET 2 OF 2	SCALE -
PART. NO. SEE CHART		
DWG. NO. TM12P6L-(000)X1		