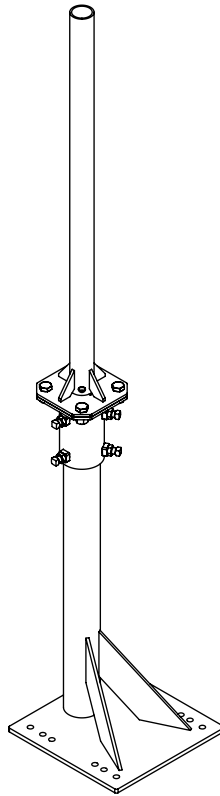


UORM-(000)X55-P



SYM.	PART #	DESCRIPTION	QTY.
1	AB1182-2.5(12ORM)HD	2.88'OD-2.5' ORM MAST,HDG	1
2	AB4999X.5(6)6H5HD	MAST ADAPTER 6"PLT (1/2" NUTS) , HDG	1
3	AS REQ'D	(XXX)"ODx3' MAST w/6"PLATE, HDG	1
4	H1-0500-125A325HDG	1/2"x1-1/4" BOLT A325, HDG	4
5	H2-0500HN2HHDG	1/2" NUT 2H , HDG	4
6	H4-0500LWHDG	1/2" LOCKWASHER, HDG	4
7	B5904-18	4"x4" ALUMINUM ANGLE 18" LONG	1
8	B5904-12	4"x4" ALUMINUM ANGLE 12" LONG	2
9	H7-0375-375JB-304S/S	3/8" x 3.75" J-BOLT, S/S	6
10	H3-0375FWSS	3/8" FLATWASHER, S/S	6
11	H2-0375HNSS	3/8" HEX NUT, S/S	12
12	H4-0375LWSS	3/8" LOCKWASHER, S/S	6
13	HUB-.37-150-HDG	3/8" DIA. x 1-1/2"W X 2-1/2"DP. UBOLT, HDG	2
14	HUB-.37-3.00-HDG	3/8" DIA. x 3"W x 3-5/8" DP. UBOLT, HDG	1
15	H2-0375HNHDG	3/8" HEX NUT, HDG	6
16	H3-0375FWHDG	3/8" FLATWASHER, HDG	6
17	H4-0375LWHDG	3/8" LOCKWASHER, HDG	6
18	74064	1/2"x1-1/2" SQ.HD. CUP POINT SET SCREW, SS	6
19	H2-0500HNSS	1/2" HEX NUT, SS	6
20		PALLET	1

PROPRIETARY AND CONFIDENTIAL

THE INFORMATION CONTAINED IN THIS DRAWING IS THE SOLE PROPERTY OF BAIRD SUPPORTING SYSTEMS. ANY REPRODUCTION IN PART OR AS A WHOLE WITHOUT THE WRITTEN PERMISSION OF BAIRD SUPPORTING SYSTEMS IS PROHIBITED.



WWW.BAIRD MOUNTS.COM

UNLESS OTHERWISE SPECIFIED:

DIMENSIONS ARE IN INCHES
 TOLERANCES:
 FRACTIONAL ±
 ANGULAR: MACH ± BEND ±
 TWO PLACE DECIMAL ±
 THREE PLACE DECIMAL ±

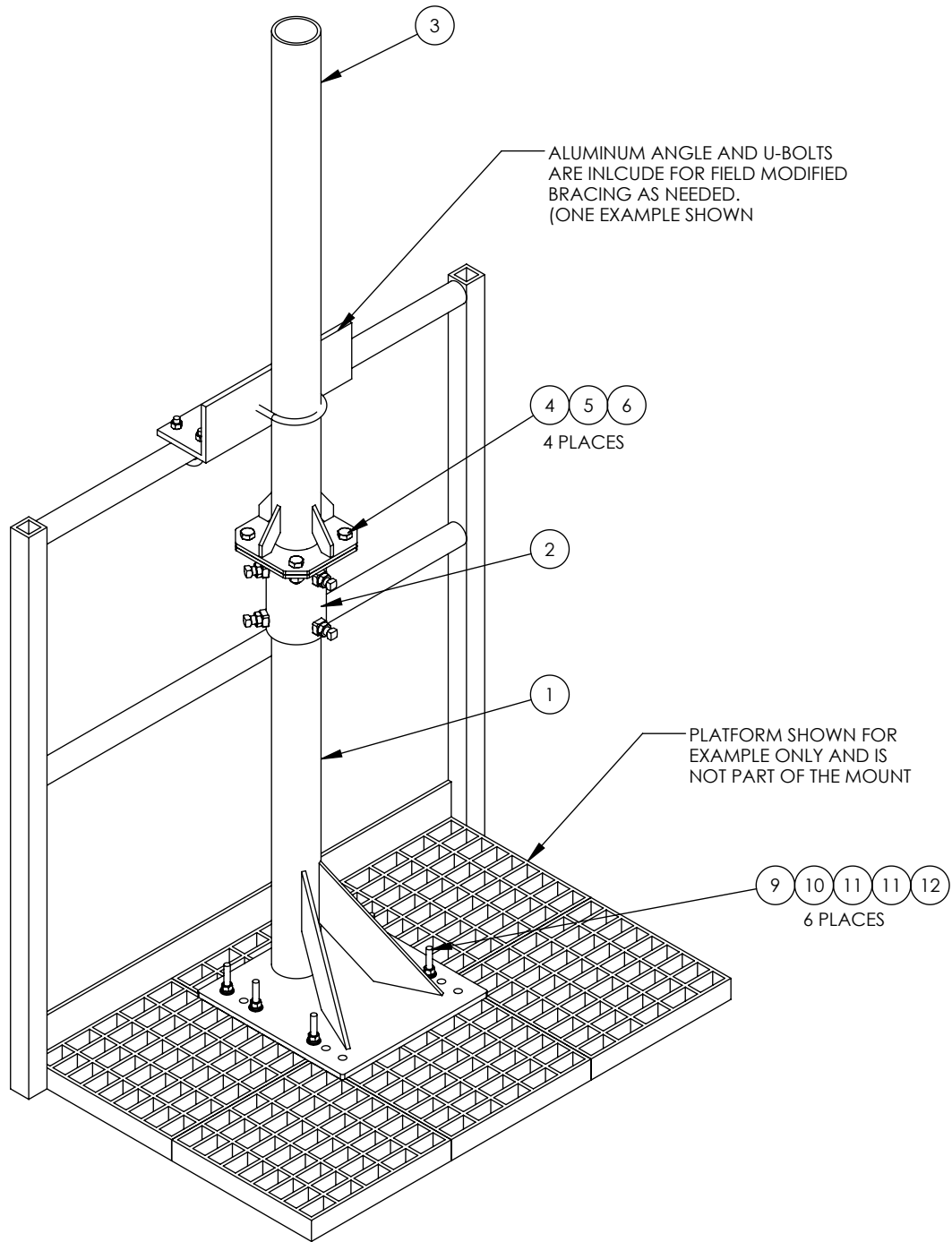
DO NOT SCALE DRAWING

BAIRD MOUNTING SYSTEMS

WATERLOO, IA 50703
 PHONE: 319-233-3561
 SALES@BAIRDMOUNTS.COM

TITLE:
 UNIVERSAL OIL RIG MOUNT -5.5' TALL

DRAWN BY JK	DATE 06/24/20
MATERIAL -	FINISH -
DWG. PURPOSE INSTRUCTION	SHEET 1
PART. NO. -	SCALE -
DWG. NO. UORM-(000)X55-P	



PROPRIETARY AND CONFIDENTIAL

THE INFORMATION CONTAINED IN THIS DRAWING IS THE SOLE PROPERTY OF BAIRD SUPPORTING SYSTEMS. ANY REPRODUCTION IN PART OR AS A WHOLE WITHOUT THE WRITTEN PERMISSION OF BAIRD SUPPORTING SYSTEMS IS PROHIBITED.



WWW.BAIRD MOUNTS.COM

UNLESS OTHERWISE SPECIFIED:

DIMENSIONS ARE IN INCHES
TOLERANCES:
FRACTIONAL ±
ANGULAR: MACH ± BEND ±
TWO PLACE DECIMAL ±
THREE PLACE DECIMAL ±

DO NOT SCALE DRAWING

BAIRD MOUNTING SYSTEMS

WATERLOO, IA 50703
PHONE: 319-233-3561
SALES@BAIRD MOUNTS.COM

TITLE:
UNIVERSAL OIL RIG MOUNT-5.5' TALL

DRAWN BY JK	DATE 06/24/20	
MATERIAL -	FINISH -	
DWG. PURPOSE INSTRUCTION	SHEET 2	SCALE -
PART. NO. -		
DWG. NO. UORM-(000)X55-P		