

SYM	PART #	DESCRIPTION	QTY.	
1	AB0041HD	B3 FRAME ASSY, HDG	1	
2	AS REQUIRED	B3 MAST ASSY (DIAMETER & LENGTH AS REQ'D), HDG	1	
3	AB0042LHHD	LH BRACE ANGLE, 23" LONG, HDG	1	
4	AB0042RHHD	RH BRACE ANGLE, 23" LONG, HDG	1	
5	AB1621LHHD	REAR BRACE ANGLE, 28.25" LONG, HDG	1	
HARDWARE KIT p/n HDWE-B3	6	H1-0375-400TB	3/8" x 4" TAP BOLT (FULLY THREADED)GR.5, Z/P	2
	7	H3-0375FW	3/8" USS FLATWASHER, Z/P	2
	8	H2-0375WN	3/8" WHIZ LOCK NUT, Z/P	2
	9	H1-0375-100	3/8" x 1" BOLT GR.5, Z/P	5
	10	H2-0375HN	3/8" NUT, Z/P	5
	11	H4-0375LW	3/8" SPLIT-LOCKWASHER, Z/P	5
	12	AB1182-.42SLHPFWHD	MAST ADAPTER 2.37"OD TO STRLNK FLAT HP WEDGE,HDG	1
	13	H5-0500-125SHCPZ	1/2"x1-1/4" SQ.HD. CUP POINT SET SCREW, Z/P	2
	14	H2-0500JN	1/2" JAM NUT, Z/P	2
			1/8" THICK RUBBER PAD 18"x48"	2

**PROPRIETARY AND CONFIDENTIAL**

THE INFORMATION CONTAINED IN THIS DRAWING IS THE SOLE PROPERTY OF BAIRD SUPPORTING SYSTEMS. ANY REPRODUCTION IN PART OR AS A WHOLE WITHOUT THE WRITTEN PERMISSION OF BAIRD SUPPORTING SYSTEMS IS PROHIBITED.



WWW.BAIRD MOUNTS.COM

UNLESS OTHERWISE SPECIFIED:

DIMENSIONS ARE IN INCHES  
 TOLERANCES:  
 FRACTIONAL ±  
 ANGULAR: MACH ± BEND ±  
 TWO PLACE DECIMAL ±  
 THREE PLACE DECIMAL ±

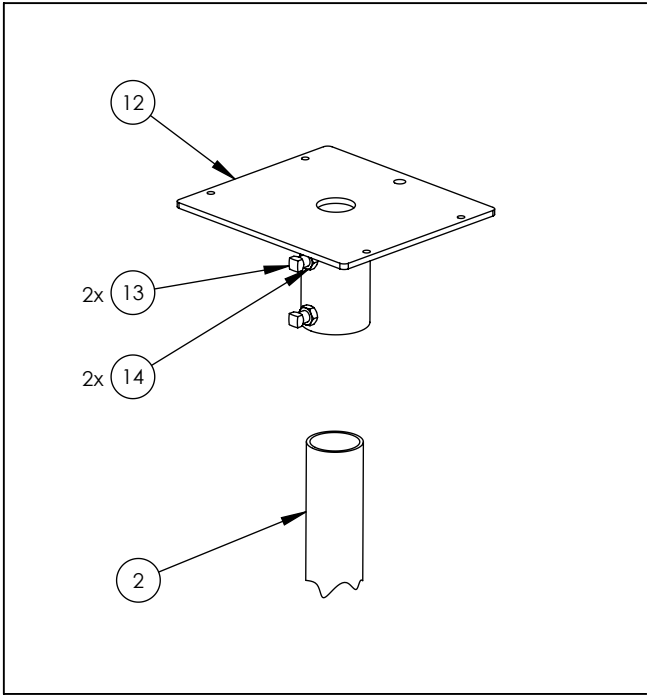
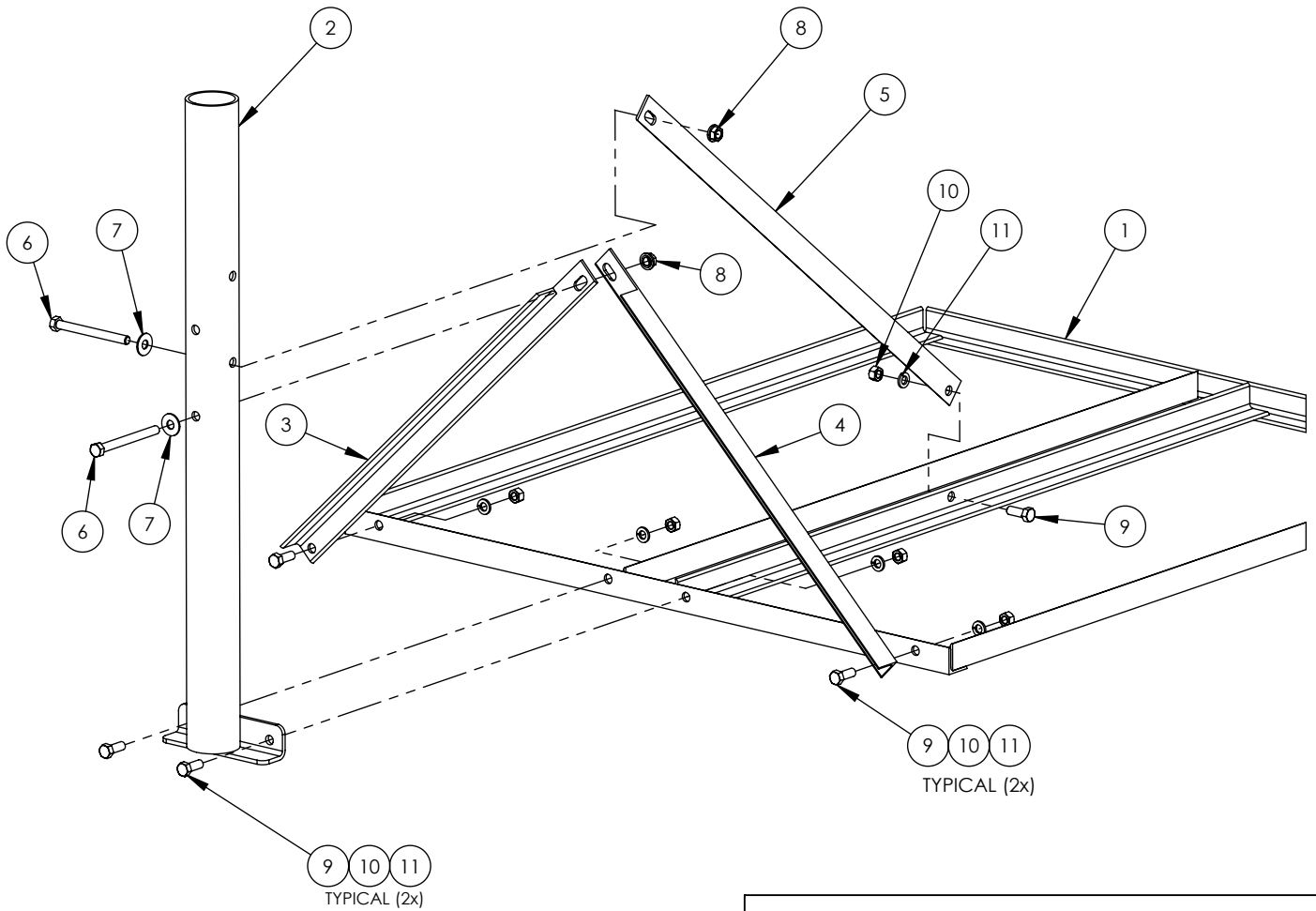
DO NOT SCALE DRAWING

**BAIRD MOUNTING SYSTEMS**

WATERLOO, IA 50703  
 PHONE: 319-233-3561  
 SALES@BAIRDMOUNTS.COM

TITLE:  
 B3-34X40, 2.37OD MAST, ADAPT. FOR STRLNK  
 FLAT HP WEDGE with PAD- ASSY INSTRUCTIONS

DRAWN BY JK	DATE 03/15/24
MATERIAL -	FINISH -
DWG. PURPOSE INST	SHEET 1 OF 2
PART. NO. B3-237X(0)-SLHPA	SCALE -
DWG. NO. B3-237X(0)-SLHPA INST	



**PROPRIETARY AND CONFIDENTIAL**

THE INFORMATION CONTAINED IN THIS DRAWING IS THE SOLE PROPERTY OF BAIRD SUPPORTING SYSTEMS. ANY REPRODUCTION IN PART OR AS A WHOLE WITHOUT THE WRITTEN PERMISSION OF BAIRD SUPPORTING SYSTEMS IS PROHIBITED.



WWW.BAIRD MOUNTS.COM

**UNLESS OTHERWISE SPECIFIED:**

DIMENSIONS ARE IN INCHES  
 TOLERANCES:  
 FRACTIONAL ±  
 ANGULAR: MACH ± BEND ±  
 TWO PLACE DECIMAL ±  
 THREE PLACE DECIMAL ±

DO NOT SCALE DRAWING

**BAIRD MOUNTING SYSTEMS**

WATERLOO, IA 50703  
 PHONE: 319-233-3561  
 SALES@BAIRDMOUNTS.COM

TITLE:  
 B3-34X40, 2.37OD MAST, ADAPT. FOR STRLNK  
 FLAT HP WEDGE with PAD- ASSY INSTRUCTIONS

DRAWN BY JK	DATE 03/15/24	
MATERIAL	FINISH -	
DWG. PURPOSE INST	SHEET 2 OF 2	SCALE -
PART. NO. B3-237X(0)-SLHPA		
DWG. NO. B3-237X(0)-SLHPA INST		