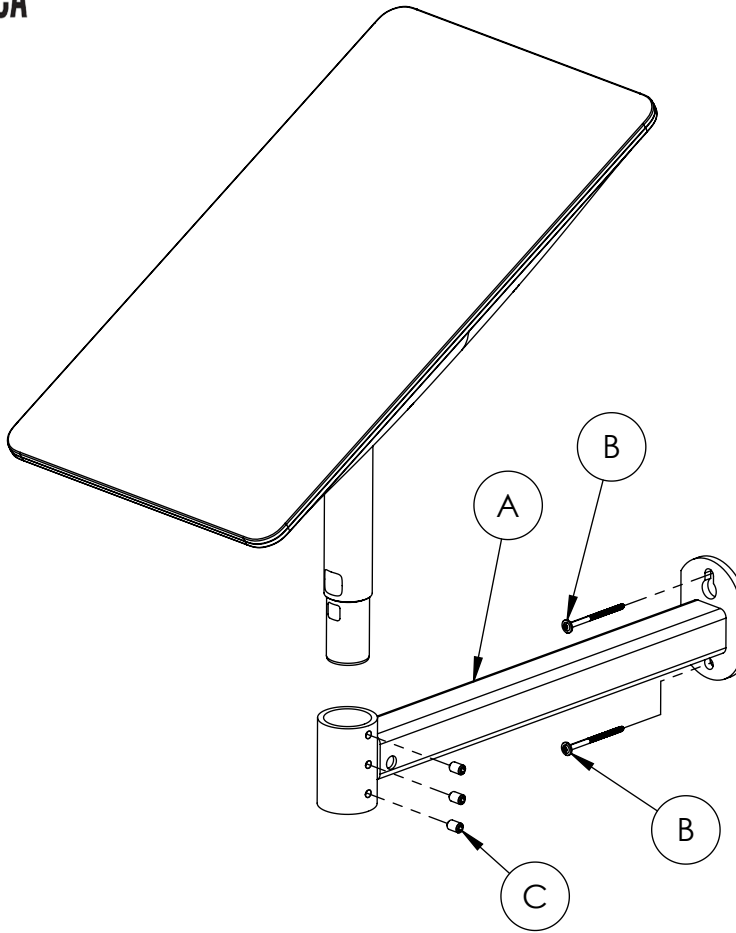




ITEM	DESCRIPTION	QTY
A	LONG WALL MOUNT	1
B	RSS LAGSCREW 1/4"x2-1/2"	2
C	5/16"x1/2" LONG SET SCREW	3
D	T-25 TORX BIT	1
E	THREAD LOCKER	1
F	SILICONE SEALANT	1



ATTACH THE LWM ARM TO A SUITABLE STRUCTURE WITH TWO RSS LAG SCREWS . MOUNT SHOULD BE LEVEL/PLUMB. SILICONE IS PROVIDED TO SEAL LAG SCREW PENETRATIONS FROM MOISTURE AS NEEDED.

PUT A DROP OF THREADLOCKER ON THE THREADS OF THE BOTTOM SET SCREW AND DRIVE IT IN FLUSH WITH THE OUTSIDE OF THE SLEEVE. (DRIVE THE SET SCREWS WITH THE T-25 TORX BIT)

SET THE STARLINK MAST IN THE SLEEVE(MAST SLOT TOWARDS THE MOUNTING ARM). PUT A DROP OF THREAD-LOCKER ON THE THREADS OF THE TWO UPPER SET SCREWS. EVENLY TIGHTEN DOWN THE TWO SET SCREWS TO CLAMP THE STARLINK MAST .

NOTE: FOR GEN 3 ANTENNAS (SHIPPED WITH A KICKSTAND), THE SUPPLIED 1.31"ODx12" PIPE WILL BE USED IN PLACE OF THE STARLINK MAST (SEE PAGE 2)



SCAN QR CODE FOR INSTRUCTIONAL VIDEO
<http://www.youtube.com/@BairdMounts>

PROPRIETARY AND CONFIDENTIAL

THE INFORMATION CONTAINED IN THIS DRAWING IS THE SOLE PROPERTY OF BAIRD SUPPORTING SYSTEMS. ANY REPRODUCTION IN PART OR AS A WHOLE WITHOUT THE WRITTEN PERMISSION OF BAIRD SUPPORTING SYSTEMS IS PROHIBITED.



WWW.BAIRD MOUNTS.COM

UNLESS OTHERWISE SPECIFIED:

DIMENSIONS ARE IN INCHES
 TOLERANCES:
 FRACTIONAL ±
 ANGULAR: MACH ± BEND ±
 TWO PLACE DECIMAL ±
 THREE PLACE DECIMAL ±

DO NOT SCALE DRAWING

BAIRD MOUNTING SYSTEMS

CEDAR FALLS, IA 50613
 PHONE: 319-233-3561
 SALES@BAIRDMOUNTS.COM

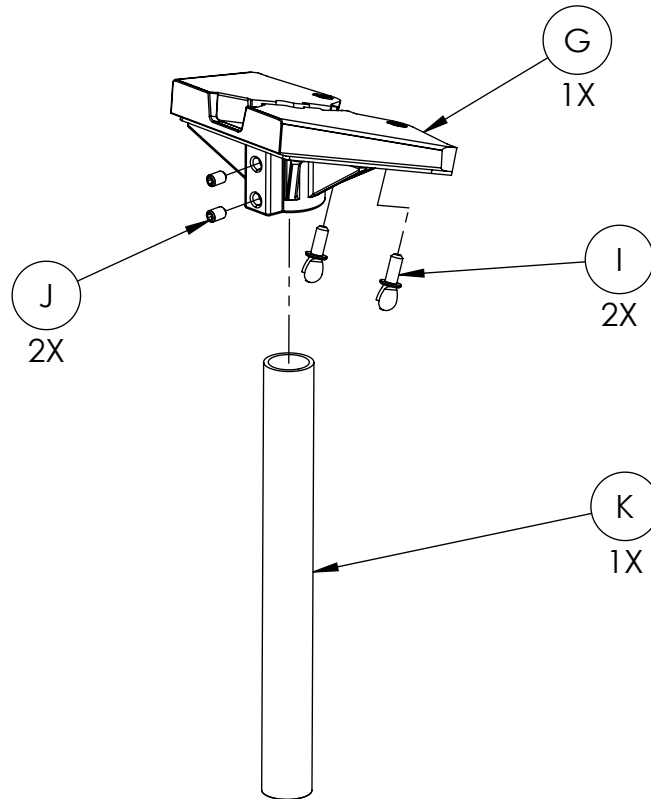
TITLE:
 LWM-STRLNK INSTRUCTIONS

DRAWN BY -	DATE 11/15/23
MATERIAL STEEL	FINISH HDG
DWG. PURPOSE CUSTOMER	SHEET 1 OF 3
PART. NO. LWM-STRLNK	SCALE -
DWG. NO. LWM-STRLNK INSTRUCTIONS	



PIPE ADAPTER KIT FOR GEN3

ITEM	DESCRIPTION	QTY	
G	STRLNK GEN3 ADAPTER FOR 1.31"OD	1	PRE-ASSEMBLED
H	5/16" THIN HEX NUT, Z/P	4	
I	5/16" x 3/4" FLANGED THUMB SCREW, Z/P	2	
J	5/16x1/2" SET SCREW, Z/P	2	
K	1.31"OD PIPE x 12", HDG	1	



REMOVE THE KICKSTAND FROM THE STARLINK ANTENNA, PER MANUFACTURER'S INSTRUCTIONS.

ATTACH THE ETHERNET CABLE TO THE ANTENNA.

LOOSEN EACH OF THE THUMB SCREWS ONE-HALF TURN FROM THE TIGHTENED POSITION.

POSITION ADAPTER ON THE BACK OF THE ANTENNA WITH THE CABLE IN THE TUNNEL OF THE ADAPTER. FIRMLY PUSH THE ADAPTER INTO THE ANTENNA, THE THUMB SCREWS WILL CLICK INTO THE TWO NOTCHES ON THE ANTENNA. TIGHTEN THE THUMB SCREWS.

REMOVE THE TWO SET SCREWS FROM THE ADAPTER WITH THE SUPPLIED 5/32" ALLEN WRENCH. SLIP THE ADAPTER ONTO THE 1.31"OD MAST, APPLY THREAD LOCKER TO THE SET SCREWS AND RE-INSTALL. POINT ANTENNA IN THE APPROPRIATE DIRECTION AND TIGHTEN THE SET-SCREWS WITH THE ALLEN WRENCH.

PROPRIETARY AND CONFIDENTIAL

THE INFORMATION CONTAINED IN THIS DRAWING IS THE SOLE PROPERTY OF BAIRD SUPPORTING SYSTEMS. ANY REPRODUCTION IN PART OR AS A WHOLE WITHOUT THE WRITTEN PERMISSION OF BAIRD SUPPORTING SYSTEMS IS PROHIBITED.



WWW.BAIRD MOUNTS.COM

UNLESS OTHERWISE SPECIFIED:

DIMENSIONS ARE IN INCHES
 TOLERANCES:
 FRACTIONAL ±
 ANGULAR: MACH ± BEND ±
 TWO PLACE DECIMAL ±
 THREE PLACE DECIMAL ±

DO NOT SCALE DRAWING

BAIRD MOUNTING SYSTEMS

CEDAR FALLS, IA 50613
 PHONE: 319-233-3561
 SALES@BAIRD MOUNTS.COM

TITLE:
 LWM-STRLNK INSTRUCTIONS

DRAWN BY -	DATE 11/15/23		
MATERIAL STEEL	FINISH HDG		
DWG. PURPOSE CUSTOMER	SHEET 2OF3	SCALE -	
PART. NO. LWM-STRLNK			
DWG. NO. LWM-STRLNK INSTRUCTIONS			

This product was designed and manufactured as a component for mounting an antenna system. It is intended to be installed by a professional installer. If you are not a professional installer, please contact a professional for assistance. NOTE: Baird Mounting Systems, Inc. accepts NO liability or responsibility for improper, unprofessional or unsafe installation practices.

WARNING!
DO NOT INSTALL THIS PRODUCT NEAR POWER LINES!
ASSUME ANY WIRE/LINE NEAR YOUR INSTALLATION AREA TO BE DANGEROUS
PLEASE FOLLOW ALL GENERAL SAFETY DIRECTIONS

Each year people are killed or receive severe permanent injuries when attempting to install or remove devices near power lines. In many of these cases, the victim was aware of the danger of electrocution, but did not take adequate steps to avoid the hazard.

For your safety, and proper installation, please READ and FOLLOW the safety precautions that follow. THEY MAY SAVE YOUR LIFE! Save these instructions for future reference. The same precautions will apply when removing the mounting device from a previously installed location.

GENERAL SAFETY DIRECTIONS

1. Select your installation site with safety, as well as performance, in mind. Remember: ELECTRIC POWER LINES, PHONE LINES AND GUY WIRES LOOK ALIKE. FOR YOUR SAFETY, Assume ANY OVERHEAD LINES CAN KILL YOU!
2. Call your local utilities provider. Tell them your plans and ask them to come survey your proposed installation. This is a small inconvenience, considering YOUR LIFE IS AT STAKE.
3. When installing your device REMEMBER:
 - a. DO NOT use a metal ladder.
 - b. DO NOT work on a wet, windy or inclement weather day - especially during electrical storms or when there is thunder and lightning in the area or forecast.
 - c. DO dress properly-shoes with rubber soles and heels, rubber gloves, long sleeve shirt or coat.
 - d. DO wear safety glasses.
5. If the device starts to drop, get away from it and let it fall. REMEMBER: The antenna, mast, cable, and mounting device are excellent conductors' electrical current. Even the slightest touch of any of these parts to a power line may be deadly!
6. If any part of the installation should come in contact with a power line, or suspected power line, DO NOT TOUCH IT OR TRY TO REMOVE IT YOURSELF! CALL YOUR LOCAL UTILITY PROVIDER. They will remove it safely.
7. If an accident should occur with power lines, DO NOT touch the person in contact with the equipment and power line or you too will be electrocuted. Call emergency services immediately.
8. If using an in-ground pole, **MAKE SURE IT'S SAFE TO DIG Call 811 ("Call Before You Dig")** who will send a technician out to ensure there are no wires or pipes under the ground where you want to install any in-ground mount.



Caution! This product is intended to be mounted on a flat surface and perpendicular to the ground. FASTENERS MUST BE FIRMLY ANCHORED TO SOLID MATERIALS. Mounting this product on siding and other uneven surfaces can cause damage to your property and antenna. Baird Mounting Systems, Inc. accepts no responsibility/liability for damages incurred by improper installation.



Select your installation site with safety, as well as performance, in mind. Remember: ELECTRIC POWER LINES, PHONE LINES AND GUY WIRES LOOK ALIKE. FOR YOUR SAFETY, Assume ANY OVERHEAD LINES CAN KILL YOU!

PROPRIETARY AND CONFIDENTIAL

THE INFORMATION CONTAINED IN THIS DRAWING IS THE SOLE PROPERTY OF BAIRD SUPPORTING SYSTEMS. ANY REPRODUCTION IN PART OR AS A WHOLE WITHOUT THE WRITTEN PERMISSION OF BAIRD SUPPORTING SYSTEMS IS PROHIBITED.



WWW.BAIRD MOUNTS.COM

UNLESS OTHERWISE SPECIFIED:

DIMENSIONS ARE IN INCHES
 TOLERANCES:
 FRACTIONAL ±
 ANGULAR: MACH ± BEND ±
 TWO PLACE DECIMAL ±
 THREE PLACE DECIMAL ±

DO NOT SCALE DRAWING

BAIRD MOUNTING SYSTEMS

CEDAR FALLS, IA 50613
 PHONE: 319-233-3561
 SALES@BAIRDMOUNTS.COM

TITLE:
 LWM-STRLNK INSTRUCTIONS

DRAWN BY -	DATE 11/15/23
MATERIAL STEEL	FINISH HDG
DWG. PURPOSE CUSTOMER	SHEET 30F3
SCALE -	
PART. NO. LWM-STRLNK	
DWG. NO. LWM-STRLNK INSTRUCTIONS	