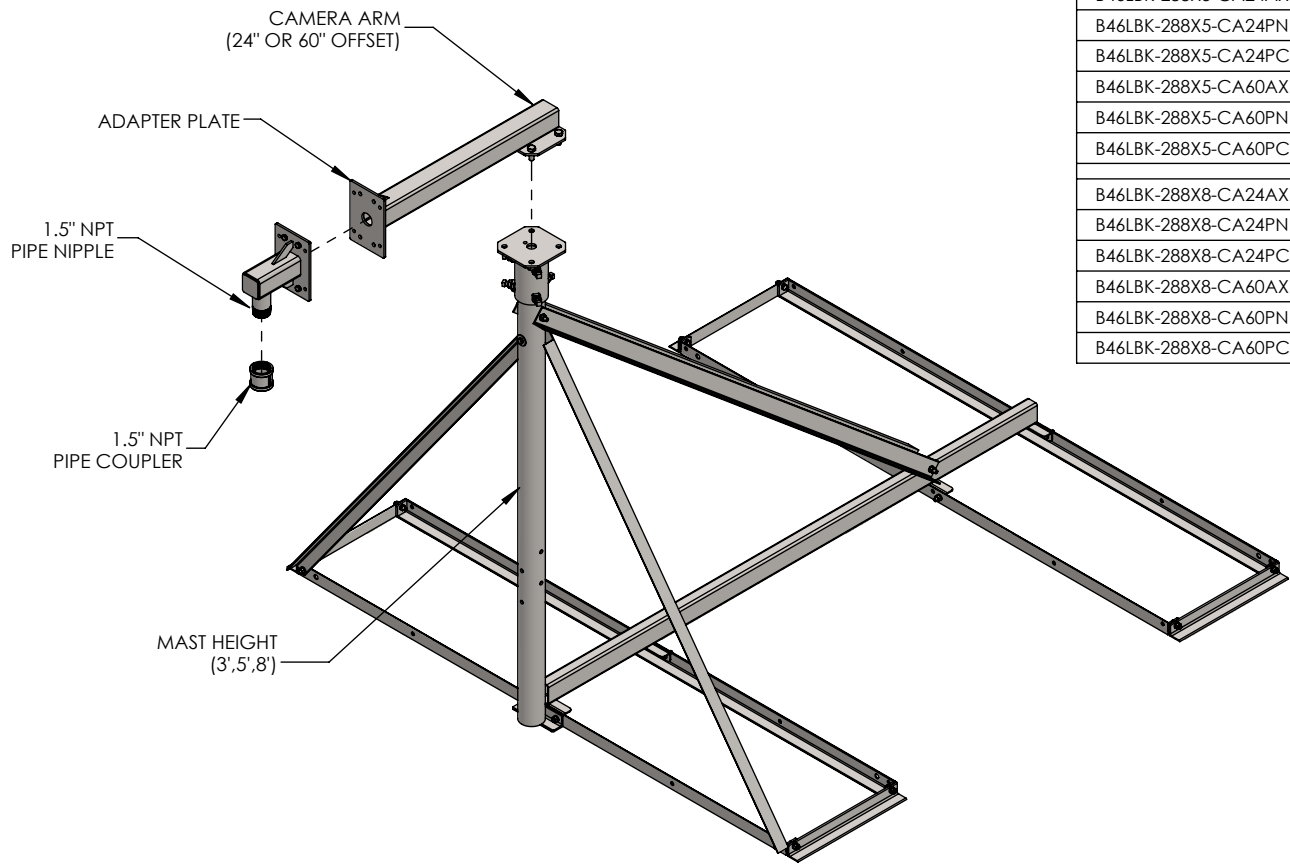


PART #	MAST HEIGHT	ARM OFFSET LENGTH	ADAPTER PLATE	1.5"NPT PIPE NIPPLE (M)	1.5"NPT PIPE COUPLER (F)	WEIGHT (LBS.)
B46DRB-288X3-CA24AXIS	3'	24"	X			116
B46DRB-288X3-CA24PN150	3'	24"	X	X		121
B46DRB-288X3-CA24PC150	3'	24"	X	X	X	122
B46DRB-288X3-CA60AXIS	3'	60"	X			137
B46DRB-288X3-CA60PN150	3'	60"	X	X		144
B46DRB-288X3-CA60PC150	3'	60"	X	X	X	145
B46LBK-288X5-CA24AXIS	5'	24"	X			140
B46LBK-288X5-CA24PN150	5'	24"	X	X		147
B46LBK-288X5-CA24PC150	5'	24"	X	X	X	148
B46LBK-288X5-CA60AXIS	5'	60"	X			163
B46LBK-288X5-CA60PN150	5'	60"	X	X		169
B46LBK-288X5-CA60PC150	5'	60"	X	X	X	170
B46LBK-288X8-CA24AXIS	8'	24"	X			158
B46LBK-288X8-CA24PN150	8'	24"	X	X		165
B46LBK-288X8-CA24PC150	8'	24"	X	X	X	166
B46LBK-288X8-CA60AXIS	8'	60"	X			181
B46LBK-288X8-CA60PN150	8'	60"	X	X		187
B46LBK-288X8-CA60PC150	8'	60"	X	X	X	188



**PROPRIETARY AND CONFIDENTIAL**  
 THE INFORMATION CONTAINED IN THIS DRAWING IS THE SOLE PROPERTY OF BAIRD SUPPORTING SYSTEMS. ANY REPRODUCTION IN PART OR AS A WHOLE WITHOUT THE WRITTEN PERMISSION OF BAIRD SUPPORTING SYSTEMS IS PROHIBITED.

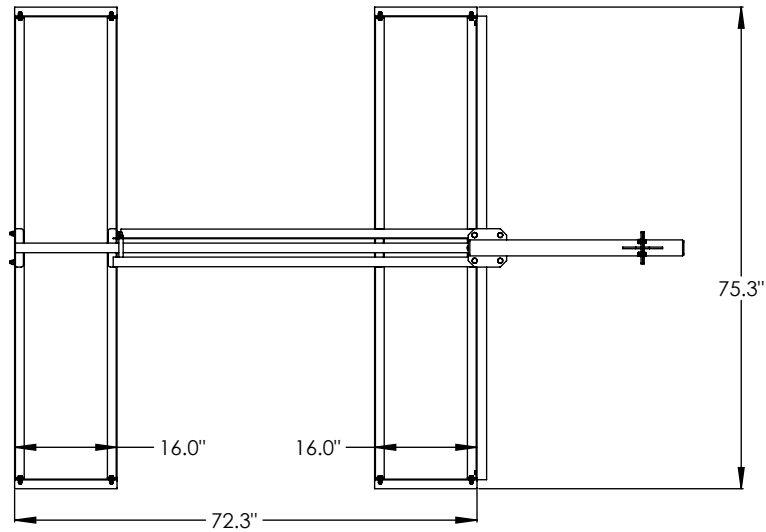


UNLESS OTHERWISE SPECIFIED:  
 DIMENSIONS ARE IN INCHES  
 TOLERANCES:  
 FRACTIONAL ±  
 ANGULAR: MACH ± BEND ±  
 TWO PLACE DECIMAL ±  
 THREE PLACE DECIMAL ±  
 DO NOT SCALE DRAWING

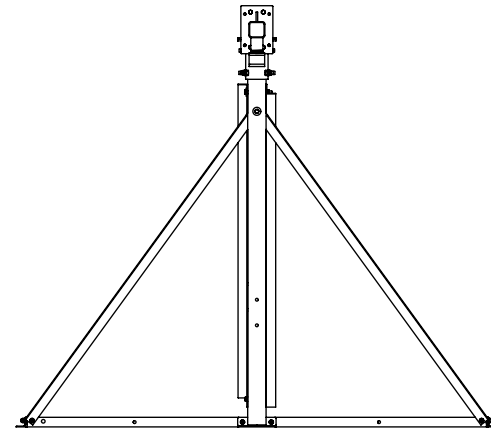
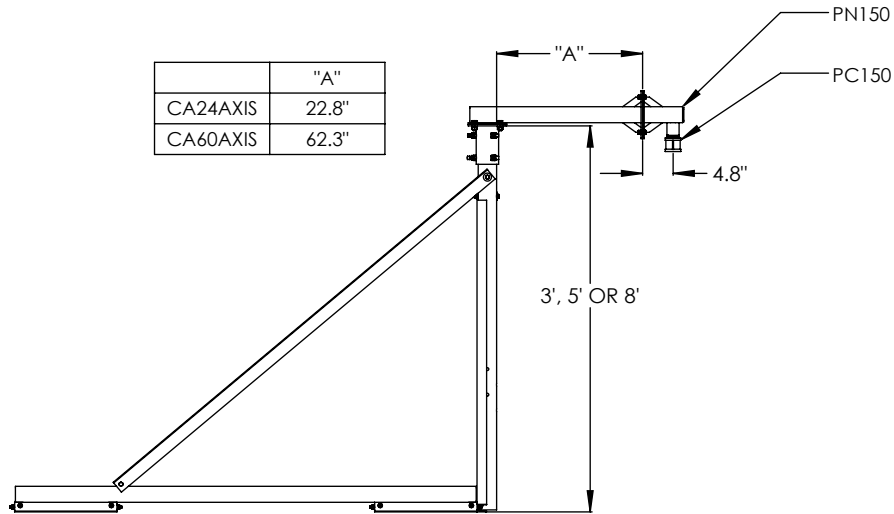
**BAIRD MOUNTING SYSTEMS**  
 WATERLOO, IA 50703  
 PHONE: 319-233-3561  
 SALES@BAIRDMOUNTS.COM

TITLE:  
**B46- CAMERA MOUNT**

DRAWN BY JK	DATE 02/25/22
MATERIAL STEEL	FINISH HDG
DWG. PURPOSE CUSTOMER	SHEET 10F4
SCALE -	
PART. NO. SEE TABLE ABOVE	
DWG. NO. B46- CAMERA MOUNT	



	"A"
CA24AXIS	22.8"
CA60AXIS	62.3"



**PROPRIETARY AND CONFIDENTIAL**  
 THE INFORMATION CONTAINED IN THIS DRAWING IS THE SOLE PROPERTY OF BAIRD SUPPORTING SYSTEMS. ANY REPRODUCTION IN PART OR AS A WHOLE WITHOUT THE WRITTEN PERMISSION OF BAIRD SUPPORTING SYSTEMS IS PROHIBITED.



WWW.BAIRD MOUNTS.COM

UNLESS OTHERWISE SPECIFIED:  
 DIMENSIONS ARE IN INCHES  
 TOLERANCES:  
 FRACTIONAL ±  
 ANGULAR: MACH ± BEND ±  
 TWO PLACE DECIMAL ±  
 THREE PLACE DECIMAL ±

DO NOT SCALE DRAWING

**BAIRD MOUNTING SYSTEMS**

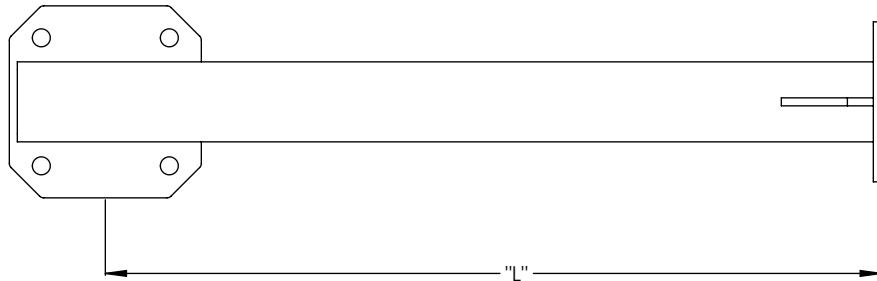
WATERLOO, IA 50703  
 PHONE: 319-233-3561  
 SALES@BAIRDMOUNTS.COM

TITLE:  
 B46- CAMERA MOUNT

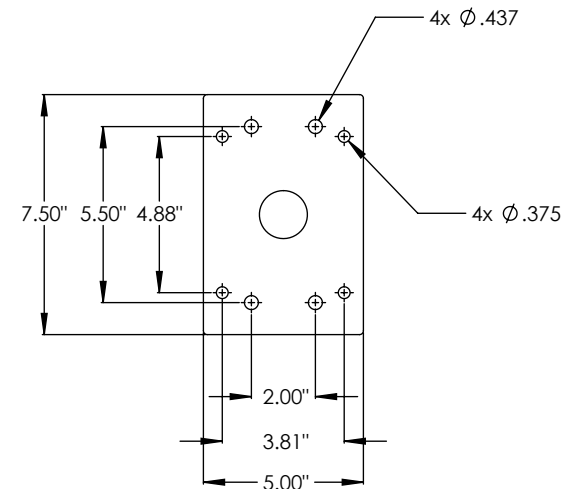
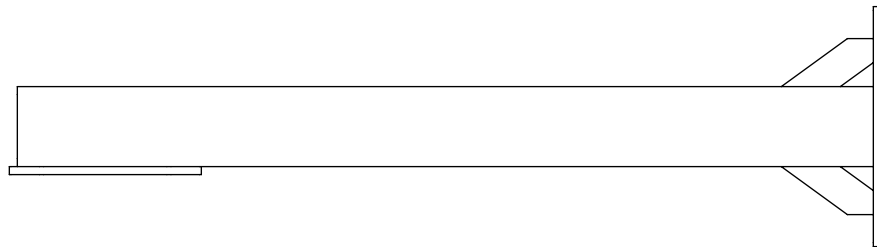
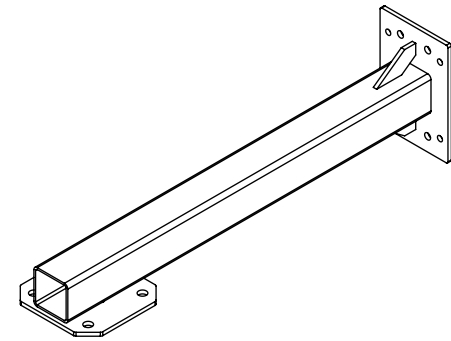
DRAWN BY JK	DATE 02/25/22
MATERIAL STEEL	FINISH HDG
DWG. PURPOSE CUSTOMER	SHEET 2OF4
	SCALE -

PART. NO.  
 SEE TABLE ON PAGE 1

DWG. NO.  
 B46- CAMERA MOUNT



MAST  
CENTERLINE



CAMERA ARM-AXIS	
	"L"
CA24AXIS	24.25"
CA60AXIS	63.75"

**PROPRIETARY AND CONFIDENTIAL**  
THE INFORMATION CONTAINED IN THIS DRAWING IS THE SOLE PROPERTY OF BAIRD SUPPORTING SYSTEMS. ANY REPRODUCTION IN PART OR AS A WHOLE WITHOUT THE WRITTEN PERMISSION OF BAIRD SUPPORTING SYSTEMS IS PROHIBITED.



WWW.BAIRD MOUNTS.COM

UNLESS OTHERWISE SPECIFIED:  
DIMENSIONS ARE IN INCHES  
TOLERANCES:  
FRACTIONAL  $\pm$   
ANGULAR: MACH  $\pm$  BEND  $\pm$   
TWO PLACE DECIMAL  $\pm$   
THREE PLACE DECIMAL  $\pm$

DO NOT SCALE DRAWING

**BAIRD MOUNTING SYSTEMS**

WATERLOO, IA 50703  
PHONE: 319-233-3561  
SALES@BAIRD MOUNTS.COM

TITLE:  
B46- CAMERA MOUNT

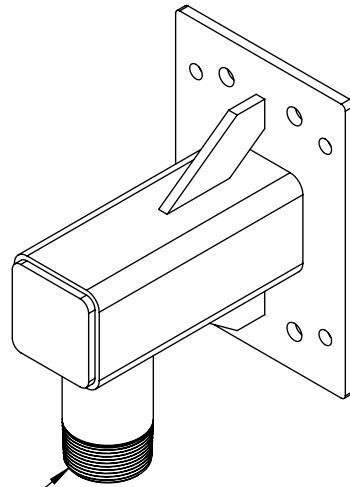
DRAWN BY  
JK DATE  
02/25/22

MATERIAL  
STEEL FINISH  
HDG

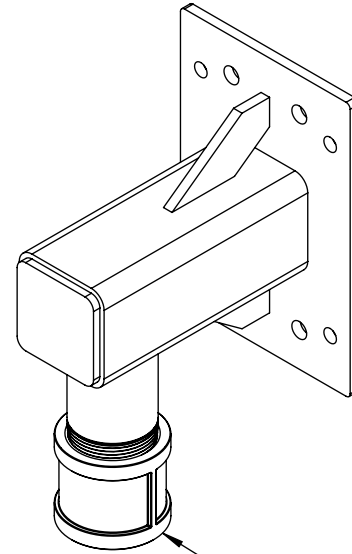
DWG. PURPOSE SHEET SCALE  
CUSTOMER 30F4 -

PART. NO.  
-

DWG. NO.  
B46- CAMERA MOUNT



1.5" NPT PIPE NIPPLE



1.5" NPT PIPE COUPLER

ADAPTER-1.5NPT	
PART#	
PN150	1.5"NPT PIPE NIPPLE
PC150	1.5"NPT PIPE COUPLER

**PROPRIETARY AND CONFIDENTIAL**  
 THE INFORMATION CONTAINED IN THIS DRAWING IS THE SOLE PROPERTY OF BAIRD SUPPORTING SYSTEMS. ANY REPRODUCTION IN PART OR AS A WHOLE WITHOUT THE WRITTEN PERMISSION OF BAIRD SUPPORTING SYSTEMS IS PROHIBITED.



WWW.BAIRD MOUNTS.COM

UNLESS OTHERWISE SPECIFIED:  
 DIMENSIONS ARE IN INCHES  
 TOLERANCES:  
 FRACTIONAL ±  
 ANGULAR: MACH ± BEND ±  
 TWO PLACE DECIMAL ±  
 THREE PLACE DECIMAL ±

DO NOT SCALE DRAWING

**BAIRD MOUNTING SYSTEMS**

WATERLOO, IA 50703  
 PHONE: 319-233-3561  
 SALES@BAIRD MOUNTS.COM

TITLE:  
 B46- CAMERA MOUNT

DRAWN BY JK	DATE 02/25/22	
MATERIAL STEEL	FINISH HDG	
DWG. PURPOSE CUSTOMER	SHEET 4OF4	SCALE -
PART. NO. -		
DWG. NO. B46- CAMERA MOUNT		