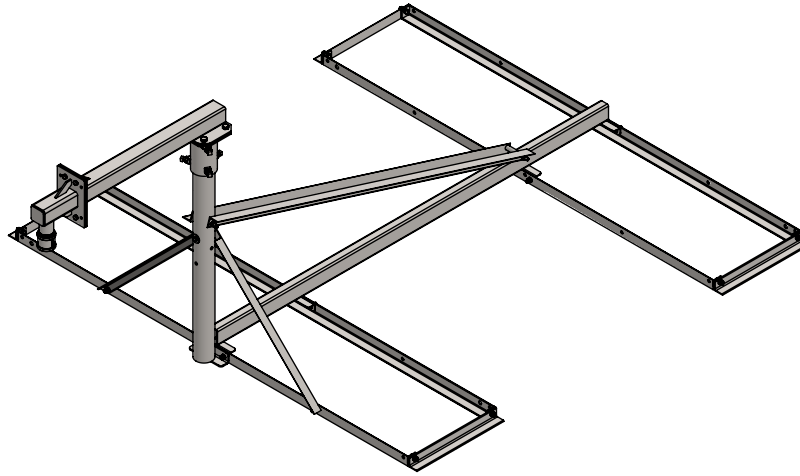


B46DRB-288X3-(CAXXX) (CAXXXX):
 -CA24AXIS
 -CA24PN150
 -CA24PC150
 -CA60AXIS
 -CA60PN150
 -CA60PC150



SYM	PART#	DESCRIPTION	QTY.
1	AB1182-3B46HD	2.88"ODx3' B4 MAST,HDG	1
2	AB1620HD	B4 SUPPORT TUBE ASSY, HDG	1
3	AB1621LHHD	B4 LH SIDE BRACE 28.25"L, HDG	1
4	AB1621RHHD	B4 RH SIDE BRACE 28.25"L, HDG	1
5	AB1622RHHD	B4 RH REAR BRACE 61.25", HDG	2
6	AB1624HD	6' B4 BALLAST ANGLE, HDG	4
7	AB1425HD	16" SIDE PAD, HDG	4
8	H1-0375-100	3/8"x1" BOLT GR5, Z/P	18
9	H1-0375-400TB	3/8"x4" FULL THREAD BOLT GR5, Z/P	3
10	H2-0375HN	3/8" HEX NUT, Z/P	19
11	H4-0375LW	3/8" LOCKWASHER, Z/P	19
12	H3-0375FW	3/8" FLATWASHER, Z/P	2
13	H2-0375WN	3/8" WHIZ-LOCK NUT,Z/P	2
14		RUBBER MATTING 16"x77"	2

HDWE-B4

SUB-ASSEMBLY

15	AB4999X.5(6)6H5HD	MAST ADAPTER 2.88"OD TO 6"PLT,HDG	1
16	H5-0500-125SHCPZ	1/2"x1-1/4" SQ.HD CUPPOINT STSC, Z/P	6
17	H2-0500JN	1/2" JAM NUT, Z/P	6
18	H1-0500-125	1/2"x1-1/4" BOLT GR5, Z/P	4
19	H2-0500HN	1/2" NUT, Z/P	4
20	H4-0500LW	1/2" LOCKWASHER, Z/P	4

			CA24 AXIS	CA24 PN150	CA24 PC150	CA60 AXIS	CA60 PN150	CA60 PC150
21	AB5606(26.75)-C1HD	24" CAMERA ARM w/ AXIS PLATE, HDG	1	1	1	-	-	-
21	AB5583(60)-C1HD	60" CAMERA ARM w/AXIS PLATE, HDG	-	-	-	1	1	1
22	AB5962HD	CAMERA MOUNT 1-1/2" NPT,HDG	-	1	1	-	1	1
23	4638K118	COUPLER 1-1/2" NPT, HDG			1			1
24	H1-0375-100	3/8"x1" BOLT GR5, Z/P		4	4		4	4
25	H2-0375HN	3/8" HEX NUT, Z/P		4	4		4	4
26	H4-0375LW	3/8" LOCKWASHER, Z/P		4	4		4	4

PROPRIETARY AND CONFIDENTIAL

THE INFORMATION CONTAINED IN THIS DRAWING IS THE SOLE PROPERTY OF BAIRD SUPPORTING SYSTEMS. ANY REPRODUCTION IN PART OR AS A WHOLE WITHOUT THE WRITTEN PERMISSION OF BAIRD SUPPORTING SYSTEMS IS PROHIBITED.



WWW.BAIRD MOUNTS.COM

UNLESS OTHERWISE SPECIFIED:

DIMENSIONS ARE IN INCHES
 TOLERANCES:
 FRACTIONAL ±
 ANGULAR: MACH ± BEND ±
 TWO PLACE DECIMAL ±
 THREE PLACE DECIMAL ±

DO NOT SCALE DRAWING

BAIRD MOUNTING SYSTEMS

CEDAR FALLS, IA 50613
 PHONE: 319-233-3561
 SALES@BAIRDMOUNTS.COM

TITLE:

B46 DOUBLE REAR BRACE, 2.88"ODx3' MAST,
 CAMERA ARM ADAPTER

DRAWN BY
JK

MATERIAL
STEEL

DWG. PURPOSE
CUSTOMER

PART. NO.
-

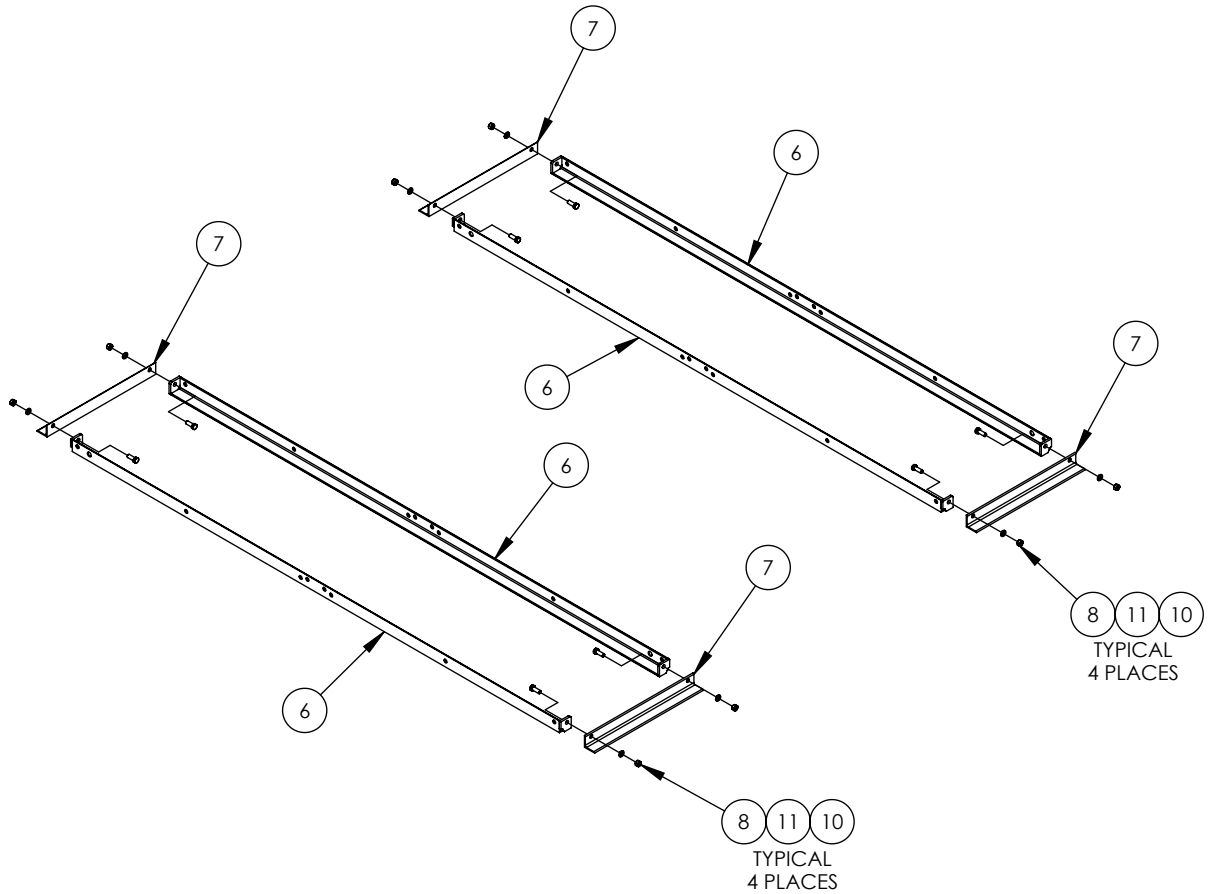
DWG. NO.
B46DRB-288X3-(CAXXX) INST

DATE
09/01/22

FINISH
HDG

SHEET
1

SCALE
-



ASSEMBLE THE TWO BALLAST TRAYS, AS SHOWN ABOVE. EACH BALLAST TRAY CONSISTS OF TWO 6' BALLAST ANGLES (#6) AND TWO SIDE PADS (#7). ASSEMBLE EACH TRAY USING FOUR 3/8"x1" BOLTS LOCKWASHERS AND NUTS (#8,#11,#10)

PROPRIETARY AND CONFIDENTIAL

THE INFORMATION CONTAINED IN THIS DRAWING IS THE SOLE PROPERTY OF BAIRD SUPPORTING SYSTEMS. ANY REPRODUCTION IN PART OR AS A WHOLE WITHOUT THE WRITTEN PERMISSION OF BAIRD SUPPORTING SYSTEMS IS PROHIBITED.



WWW.BAIRD MOUNTS.COM

UNLESS OTHERWISE SPECIFIED:

DIMENSIONS ARE IN INCHES
 TOLERANCES:
 FRACTIONAL ±
 ANGULAR: MACH ± BEND ±
 TWO PLACE DECIMAL ±
 THREE PLACE DECIMAL ±

DO NOT SCALE DRAWING

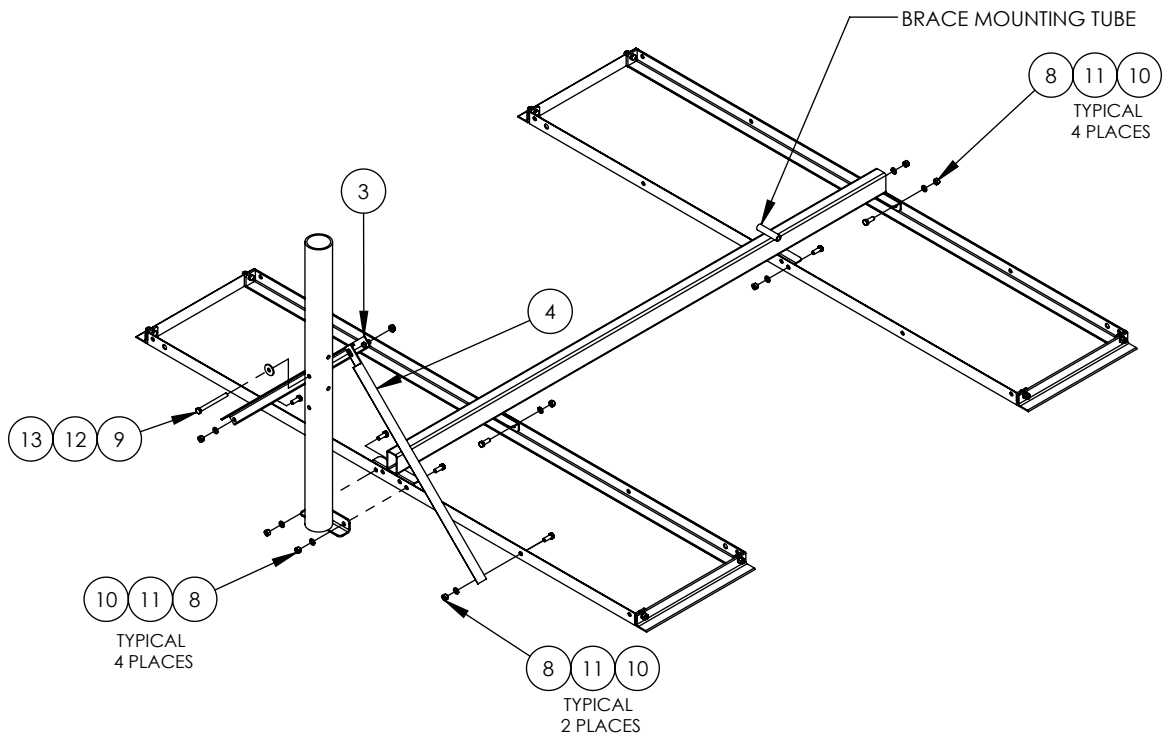
BAIRD MOUNTING SYSTEMS

CEDAR FALLS, IA 50613
 PHONE: 319-233-3561
 SALES@BAIRD MOUNTS.COM

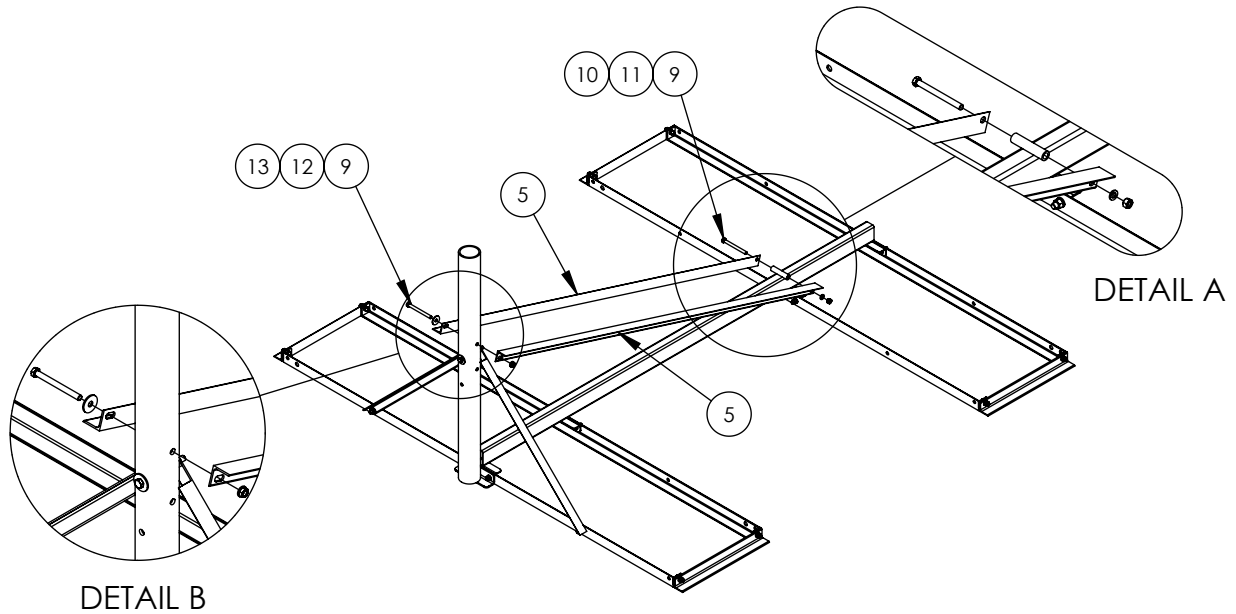
TITLE:

B46 DOUBLE REAR BRACE, 2.88"ODx3' MAST,
 CAMERA ARM ADAPTER

DRAWN BY JK	DATE 09/01/22	
MATERIAL STEEL	FINISH HDG	
DWG. PURPOSE CUSTOMER	SHEET 2	SCALE -
PART. NO. -	DWG. NO. B46DRB-288X3-(CAXXX) INST	



ATTACH THE SUPPORT TUBE(#2) TO THE BALLAST TRAYS USING EIGHT 3/8"x1" BOLTS, LOCKWASHERS AND NUTS (#8,#11,#10). THE MAST(#1) ALSO GETS ATTACHED AT THIS STEP. ATTACH THE SIDE BRACES(#3 & #4) TO THE MAST USING ONE 3/8"x4" TAP BOLT, FLATWASHER AND WHIZLOCK NUT (#9,#12,#13). NOTE: THE SLOTTED END ATTACHES AT THE MAST. CONNECT THE OTHER END OF EACH SIDE BRACE TO THE BALLAST TRAY USING A 3/8" x 1" BOLT , LOCKWASHER & NUT (#8,#11,#10).



ATTACH THE REAR BRACES(#5) TO THE MAST USING A 3/8"x4" TAP BOLT(#9),FLATWASHER(#12) AND WHIZLOCK NUT(#13). NOTE: THE SLOTTED END ATTACHES AT THE MAST. ATTACH THE OTHER END OF EACH REAR BRACE TO THE SUPPORT TUBE(#2) USING A 3/8"x4" TAP BOLT(#9), 3/8" LOCKWASHER(#11) & NUT (#10)

PROPRIETARY AND CONFIDENTIAL

THE INFORMATION CONTAINED IN THIS DRAWING IS THE SOLE PROPERTY OF BAIRD SUPPORTING SYSTEMS. ANY REPRODUCTION IN PART OR AS A WHOLE WITHOUT THE WRITTEN PERMISSION OF BAIRD SUPPORTING SYSTEMS IS PROHIBITED.



WWW.BAIRD MOUNTS.COM

UNLESS OTHERWISE SPECIFIED:

DIMENSIONS ARE IN INCHES
TOLERANCES:
FRACTIONAL ±
ANGULAR: MACH ± BEND ±
TWO PLACE DECIMAL ±
THREE PLACE DECIMAL ±

DO NOT SCALE DRAWING

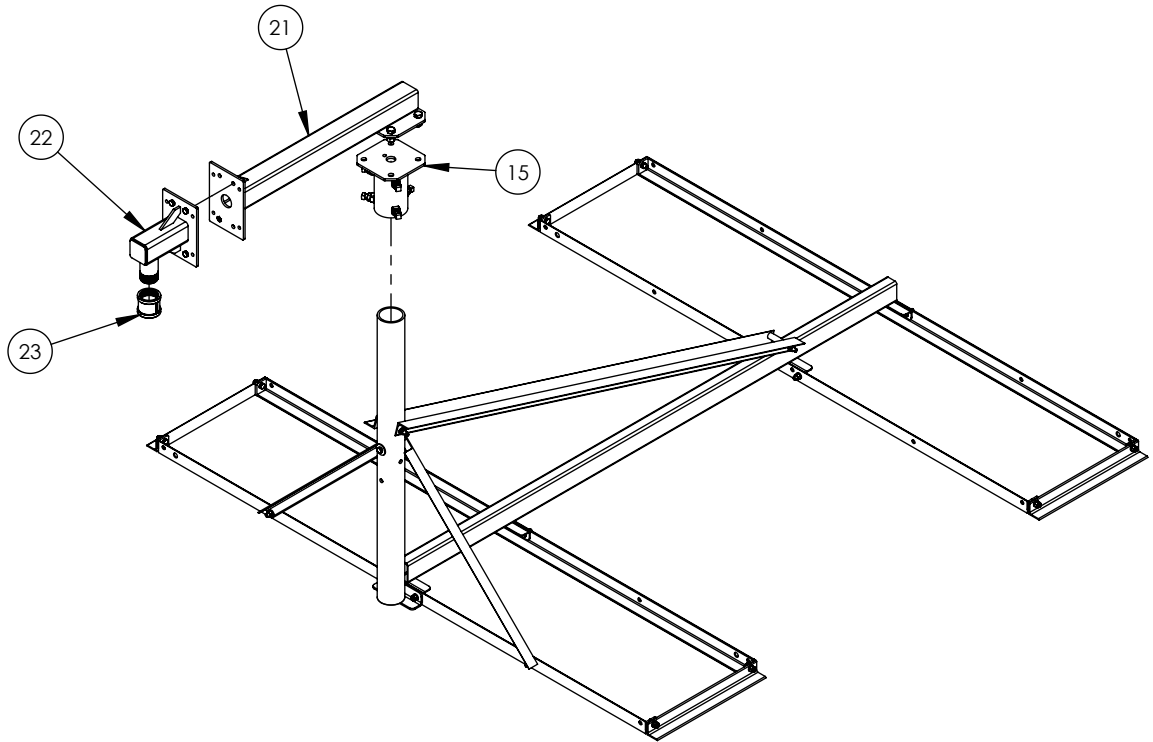
BAIRD MOUNTING SYSTEMS

CEDAR FALLS, IA 50613
PHONE: 319-233-3561
SALES@BAIRD MOUNTS.COM

TITLE:

B46 DOUBLE REAR BRACE, 2.88"ODx3' MAST,
CAMERA ARM ADAPTER

DRAWN BY JK	DATE 09/01/22	
MATERIAL STEEL	FINISH HDG	
DWG. PURPOSE CUSTOMER	SHEET 3	SCALE -
PART. NO. -	DWG. NO. B46DRB-288X3-(CAXXX) INST	



CLAMP THE CAMERA ARM ADAPTER SLEEVE TO THE MAST WITH SIX SET SCREWS. THE CAMERA ARM ASSEMBLY WILL SHIP AS AN ASSEMBLED SUB ASSEMBLY AND THE CONFIGURATION MAY VARY FROM THE DRAWING SHOWN ABOVE BASED ON SPECIFIC PART NUMBER

PROPRIETARY AND CONFIDENTIAL

THE INFORMATION CONTAINED IN THIS DRAWING IS THE SOLE PROPERTY OF BAIRD SUPPORTING SYSTEMS. ANY REPRODUCTION IN PART OR AS A WHOLE WITHOUT THE WRITTEN PERMISSION OF BAIRD SUPPORTING SYSTEMS IS PROHIBITED.



WWW.BAIRD MOUNTS.COM

UNLESS OTHERWISE SPECIFIED:

DIMENSIONS ARE IN INCHES
 TOLERANCES:
 FRACTIONAL ±
 ANGULAR: MACH ± BEND ±
 TWO PLACE DECIMAL ±
 THREE PLACE DECIMAL ±

DO NOT SCALE DRAWING

BAIRD MOUNTING SYSTEMS

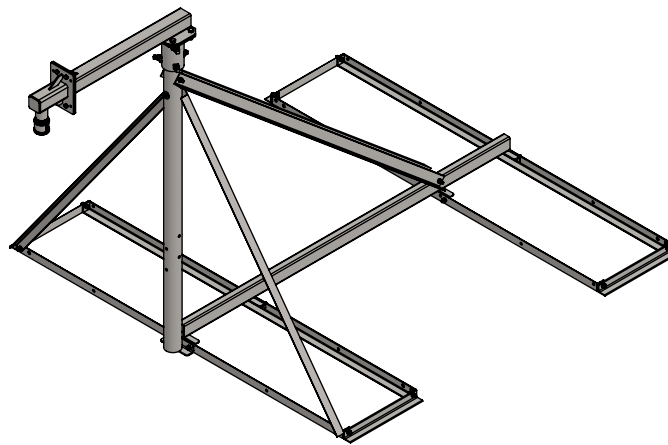
CEDAR FALLS, IA 50613
 PHONE: 319-233-3561
 SALES@BAIRD MOUNTS.COM

TITLE:
 B46 DOUBLE REAR BRACE, 2.88"ODx3' MAST,
 CAMERA ARM ADAPTER

DRAWN BY JK	DATE 09/01/22	
MATERIAL STEEL	FINISH HDG	
DWG. PURPOSE CUSTOMER	SHEET 4	SCALE -
PART. NO. -		
DWG. NO. B46DRB-288X3-(CAXXX) INST		

B46LBK-288X(X)-(CAXXX)

(CAXXXX):
 -CA24AXIS
 -CA24PN150
 -CA24PC150
 -CA60AXIS
 -CA60PN150
 -CA60PC150



SYM	PART#	DESCRIPTION	QTY.						
1	AS REQ'D	2.88"OD x () B4 MAST, HDG	1						
2	AB1620HD	B4 SUPPORT TUBE ASSY, HDG	1						
3	AB1622(61)LHD	B4LBK LH SIDE BRACE 61"L, HDG	1						
4	AB1622(61)RHD	B4LBK RH SIDE BRACE 61"L, HDG	1						
5	AB1621M(76.19)-RLHD	B4LBK R/L REAR BRACE 76.19", HDG	2						
6	AB1624HD	6' B4 BALLAST ANGLE, HDG	4						
7	AB1425HD	16" SIDE PAD, HDG	4						
8	H1-0375-100	3/8"x1" BOLT GR5, Z/P	18						
9	H1-0375-400TB	3/8"x4" FULL THREAD BOLT GR5, Z/P	3						
10	H2-0375HN	3/8" HEX NUT, Z/P	19						
11	H4-0375LW	3/8" LOCKWASHER, Z/P	19						
12	H3-0375FW	3/8" FLATWASHER, Z/P	2						
13	H2-0375WN	3/8" WHIZ-LOCK NUT,Z/P	2						
14		RUBBER MATTING 16"x77"	2						
15	AB4999X.5(6)6H5HD	MAST ADAPTER 2.88"OD TO 6"PLT,HDG	1						
16	H5-0500-125SHCPZ	1/2"x1-1/4" SQ.HD CUPPOINT STSC, Z/P	6						
17	H2-0500JN	1/2" JAM NUT, Z/P	6						
18	H1-0500-125	1/2"x1-1/4" BOLT GR5, Z/P	4						
19	H2-0500HN	1/2" NUT, Z/P	4						
20	H4-0500LW	1/2" LOCKWASHER, Z/P	4						
				CA24	CA24	CA24	CA60	CA60	CA60
				AXIS	PN150	PC150	AXIS	PN150	PC150
21	AB5606(26.75)-C1HD	24" CAMERA ARM w/ AXIS PLATE, HDG	1	1	1	1	-	-	-
21	AB5583(60)-C1HD	60" CAMERA ARM w/AXIS PLATE, HDG	-	-	-	1	1	1	
22	AB5962HD	CAMERA MOUNT 1-1/2" NPT,HDG	-	1	1	-	1	1	
23	4638K118	COUPLER 1-1/2" NPT, HDG	-	-	1	-	-	1	
24	H1-0375-100	3/8"x1" BOLT GR5, Z/P	-	4	4	-	4	4	
25	H2-0375HN	3/8" HEX NUT, Z/P	-	4	4	-	4	4	
26	H4-0375LW	3/8" LOCKWASHER, Z/P	-	4	4	-	4	4	

HDWE- B4

SUB-ASSEMBLY

PROPRIETARY AND CONFIDENTIAL

THE INFORMATION CONTAINED IN THIS DRAWING IS THE SOLE PROPERTY OF BAIRD SUPPORTING SYSTEMS. ANY REPRODUCTION IN PART OR AS A WHOLE WITHOUT THE WRITTEN PERMISSION OF BAIRD SUPPORTING SYSTEMS IS PROHIBITED.



WWW.BAIRD MOUNTS.COM

UNLESS OTHERWISE SPECIFIED:

DIMENSIONS ARE IN INCHES
 TOLERANCES:
 FRACTIONAL ±
 ANGULAR: MACH ± BEND ±
 TWO PLACE DECIMAL ±
 THREE PLACE DECIMAL ±

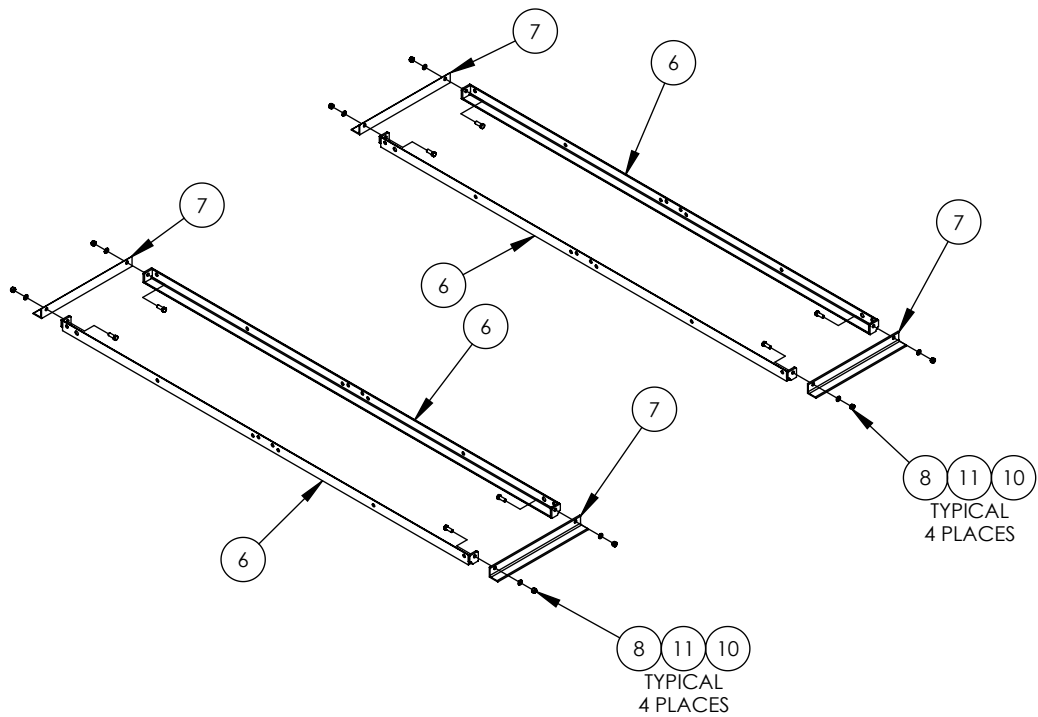
DO NOT SCALE DRAWING

BAIRD MOUNTING SYSTEMS

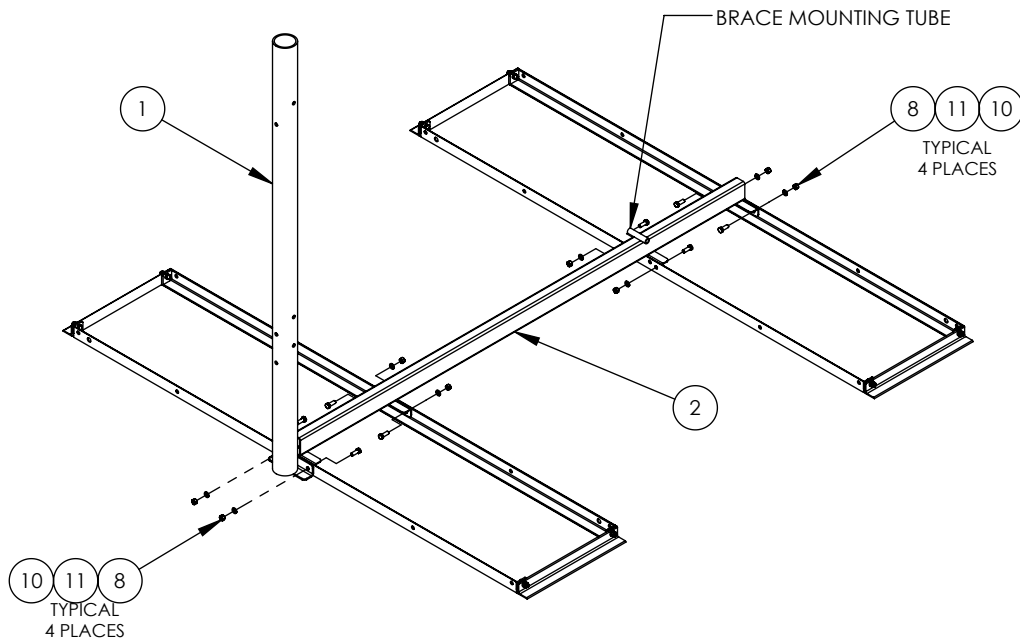
CEDAR FALLS, IA 50613
 PHONE: 319-233-3561
 SALES@BAIRDMOUNTS.COM

TITLE:
 B46, LONG BRACE KIT, 2.88"ODx(X') MAST,
 CAMERA ARM ADAPTER

DRAWN BY JK	DATE 09/01/22
MATERIAL STEEL	FINISH HDG
DWG. PURPOSE CUSTOMER	SHEET 1
PART. NO. -	SCALE -
DWG. NO. B46LBK-288X(X)-(CAXXX) INST	



ASSEMBLE THE TWO BALLAST TRAYS, AS SHOWN ABOVE. EACH BALLAST TRAY CONSISTS OF TWO 6' BALLAST ANGLES(#6) AND TWO SIDE PADS(#7). ASSEMBLE EACH TRAY USING FOUR 3/8"x1" BOLTS LOCKWASHERS AND NUTS (#8,#11,#10)



ATTACH THE SUPPORT TUBE(#2) TO THE BALLAST TRAYS USING EIGHT 3/8"x1"BOLTS, LOCKWASHERS AND NUTS(#8, #11,#10). THE MAST(#1) ALSO GETS ATTACHED AT THIS STEP.

PROPRIETARY AND CONFIDENTIAL

THE INFORMATION CONTAINED IN THIS DRAWING IS THE SOLE PROPERTY OF BAIRD SUPPORTING SYSTEMS. ANY REPRODUCTION IN PART OR AS A WHOLE WITHOUT THE WRITTEN PERMISSION OF BAIRD SUPPORTING SYSTEMS IS PROHIBITED.



WWW.BAIRD MOUNTS.COM

UNLESS OTHERWISE SPECIFIED:

DIMENSIONS ARE IN INCHES
 TOLERANCES:
 FRACTIONAL ±
 ANGULAR: MACH ± BEND ±
 TWO PLACE DECIMAL ±
 THREE PLACE DECIMAL ±

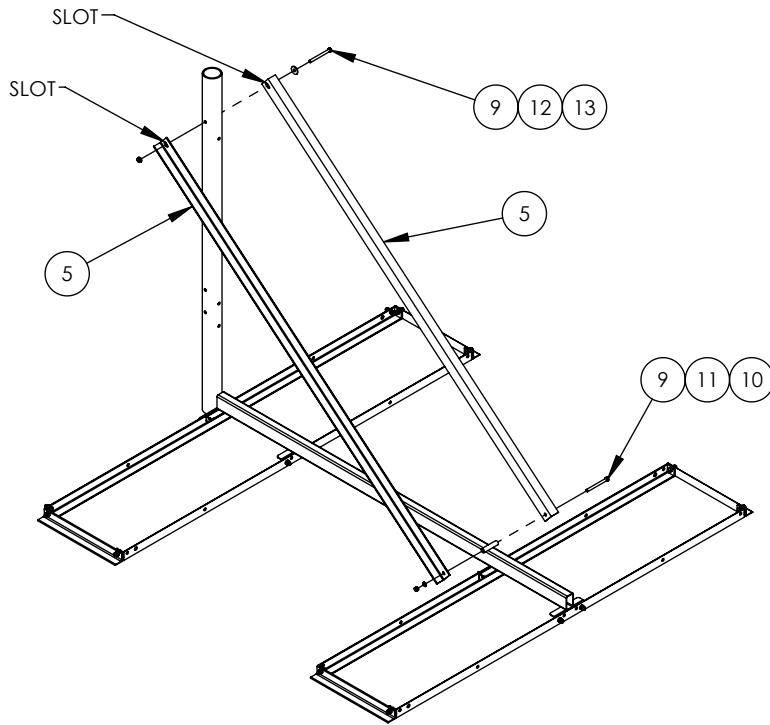
DO NOT SCALE DRAWING

BAIRD MOUNTING SYSTEMS

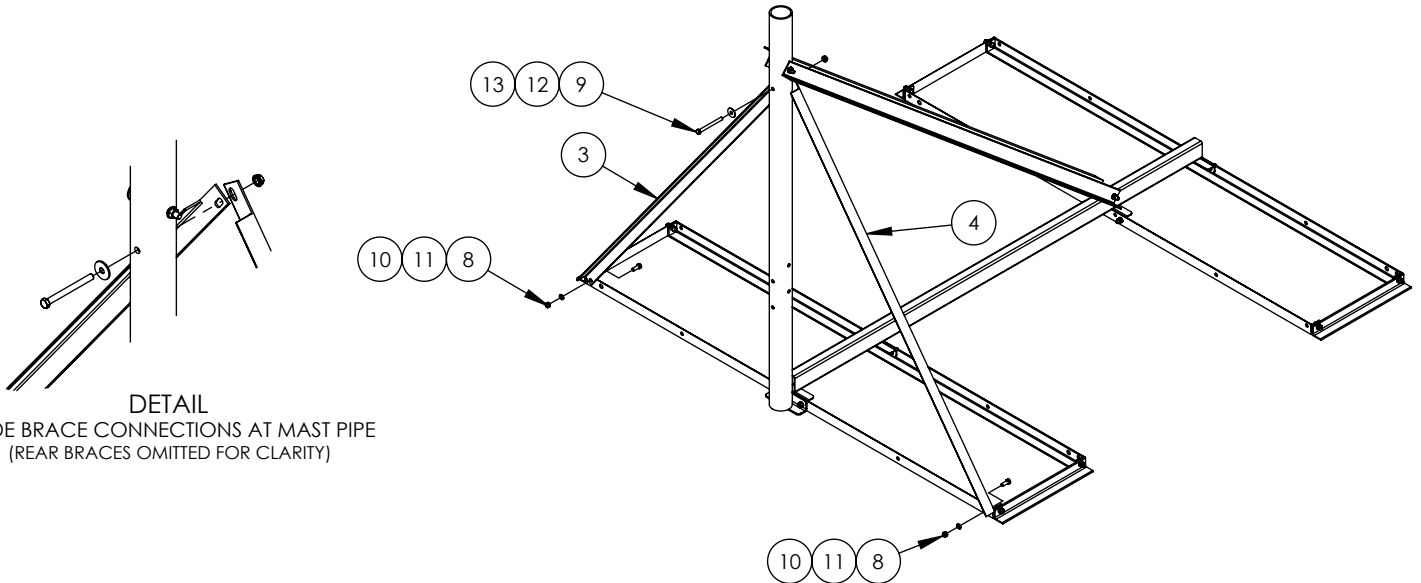
CEDAR FALLS, IA 50613
 PHONE: 319-233-3561
 SALES@BAIRDMOUNTS.COM

TITLE:
 B46, LONG BRACE KIT, 2.88"ODx(X') MAST,
 CAMERA ARM ADAPTER

DRAWN BY JK	DATE 09/01/22
MATERIAL STEEL	FINISH HDG
DWG. PURPOSE CUSTOMER	SHEET 2
PART. NO. -	SCALE -
DWG. NO. B46LBK-288X(X)-(CAXXX) INST	



ATTACH THE REAR BRACES TO THE SUPPORT TUBE USING A 3/8"x4" TAP BOLT(#9), LOCKWASHER(#11) AND NUT(#10). NOTE THE SLOTTED END GOES TOWARDS THE MAST. ATTACH THE REAR BRACES TO THE MAST USING A 3/8"x4" TAP BOLT(#9), FLATWASHER(#12) AND WHIZLOCK NUT (#13).



ATTACH THE SLOTTED ENDS OF THE SIDE BRACES(#3 & #4) TO THE MAST ASSY AS SHOWN ABOVE USING A 3/8"x4" TAPBOLT(#9), FLATWASHER(#12) & WHIZLOCK NUT(#13). ATTACH THE OTHER END OF EACH SIDE BRACE TO THE BALLAST TRAY USING A 3/8"x1" BOLT , LOCKWASHER AND NUT (#8,#11,#10)

PROPRIETARY AND CONFIDENTIAL

THE INFORMATION CONTAINED IN THIS DRAWING IS THE SOLE PROPERTY OF BAIRD SUPPORTING SYSTEMS. ANY REPRODUCTION IN PART OR AS A WHOLE WITHOUT THE WRITTEN PERMISSION OF BAIRD SUPPORTING SYSTEMS IS PROHIBITED.



WWW.BAIRD MOUNTS.COM

UNLESS OTHERWISE SPECIFIED:

DIMENSIONS ARE IN INCHES
 TOLERANCES:
 FRACTIONAL ±
 ANGULAR: MACH ± BEND ±
 TWO PLACE DECIMAL ±
 THREE PLACE DECIMAL ±

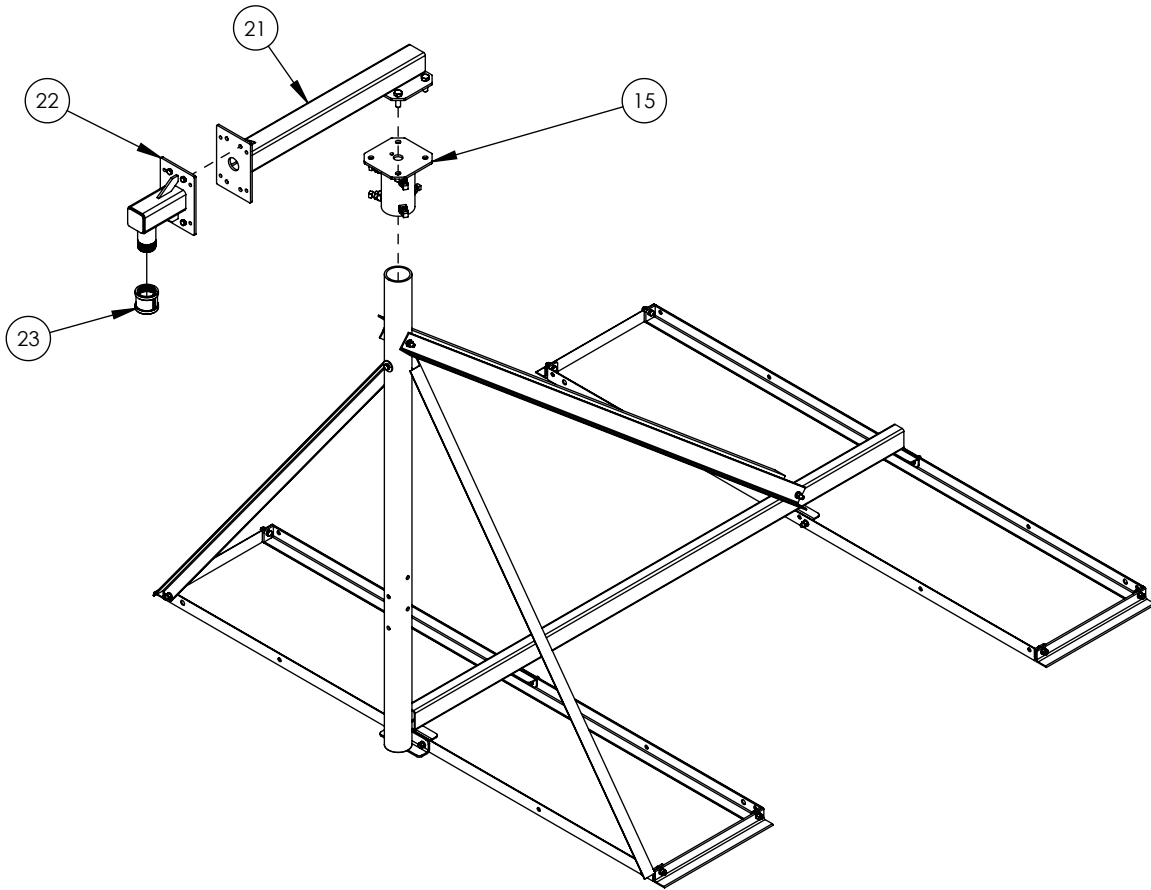
DO NOT SCALE DRAWING

BAIRD MOUNTING SYSTEMS

CEDAR FALLS, IA 50613
 PHONE: 319-233-3561
 SALES@BAIRDMOUNTS.COM

TITLE:
 B46, LONG BRACE KIT, 2.88"ODx(X') MAST,
 CAMERA ARM ADAPTER

DRAWN BY JK	DATE 09/01/22	
MATERIAL STEEL	FINISH HDG	
DWG. PURPOSE CUSTOMER	SHEET 3	SCALE -
PART. NO. -		
DWG. NO. B46LBK-288X(X)-(CAXXX) INST		



CLAMP THE CAMERA ARM ADAPTER SLEEVE TO THE MAST WITH SIX SET SCREWS. THE CAMERA ARM ASSEMBLY WILL SHIP AS AN ASSEMBLED SUB ASSEMBLY AND THE CONFIGURATION MAY VARY FROM THE DRAWING SHOWN ABOVE BASED ON SPECIFIC PART NUMBER

PROPRIETARY AND CONFIDENTIAL

THE INFORMATION CONTAINED IN THIS DRAWING IS THE SOLE PROPERTY OF BAIRD SUPPORTING SYSTEMS. ANY REPRODUCTION IN PART OR AS A WHOLE WITHOUT THE WRITTEN PERMISSION OF BAIRD SUPPORTING SYSTEMS IS PROHIBITED.



WWW.BAIRD MOUNTS.COM

UNLESS OTHERWISE SPECIFIED:

DIMENSIONS ARE IN INCHES
 TOLERANCES:
 FRACTIONAL ±
 ANGULAR: MACH ± BEND ±
 TWO PLACE DECIMAL ±
 THREE PLACE DECIMAL ±

DO NOT SCALE DRAWING

BAIRD MOUNTING SYSTEMS

CEDAR FALLS, IA 50613
 PHONE: 319-233-3561
 SALES@BAIRD MOUNTS.COM

TITLE:

B46, LONG BRACE KIT, 2.88"ODx(X') MAST,
 CAMERA ARM ADAPTER

DRAWN BY JK	DATE 09/01/22	
MATERIAL STEEL	FINISH HDG	
DWG. PURPOSE CUSTOMER	SHEET 4	SCALE -
PART. NO. -		
DWG. NO. B46LBK-288X(X)-(CAXXX) INST		